

Palm Grip B5



GESSMANN®

The Palm Grip B5 has different equipment options for many requirements. It is compatible with our Multi-Axis Controller or mounted on hydraulic drives. The Palm Grip has a highly flexible single wire (4 respectively 8 x 0,25 mm², 450 mm long). The mounting piece can be supplied with a tapped hole M10 (standard) or M8.

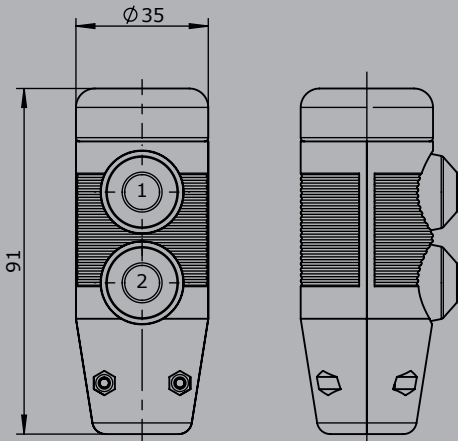
Technical data

Operating temperature	-40°C to +85°C
Degree of protection	IP54
Contact complement	3A 24 V DC13 (*1 1,5A 24 V DC13)

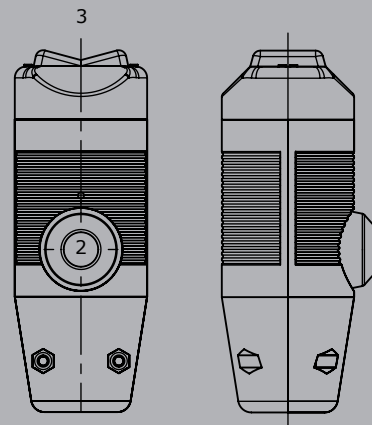


	Example			
	B5	-D	W	-X
Basic unit				
B5	Palm Grip			
Digital actuating element				
D	Push Button top			
D	Push Button side *5			
W	Rocker switch top T-0-T			
W	Rocker switch top R-0-T			
W	Rocker switch top R-0-R			
T	Push Button top mechanical operation <i>(Only possible in combination with Multi-Axis Controller or single-axis controller!)</i>			
L	LED indicator light 9 mm (KEV/27) Colour: red, yellow, green, blue, white, orange			
Special model				
X	Special / customer specified			

Edition:
Push button installed Pos. 1,2



Edition:
Rocker switch installed Pos. 3
Push button installed Pos. 2



Edition:
Push button installed Pos. 2,3

