

Multi-Axis Controller V23



The V23 is a switching device for remote control applications. The integrated sensor system has signal and potentiometer tracks in conductive plastic technology. Detent points are optionally selectable. Due to its small dimensions it can be optimally integrated into small remote control housings.

Technical data

Mechanical life V23	3 million operating cycles
Operation temperature	-40°C to +85°C
Degree of protection	IP67 front

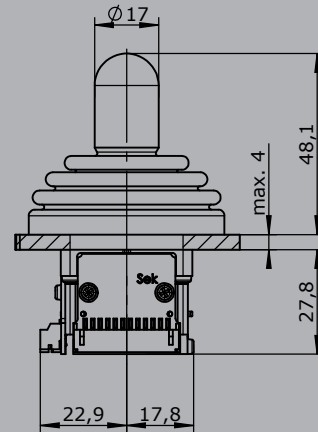
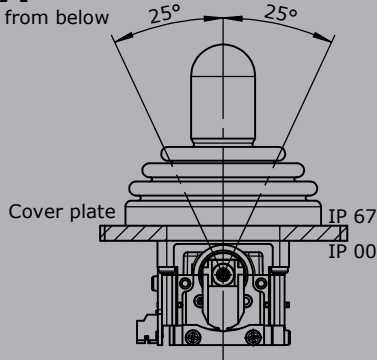


	V23A	-P	-C80	+C80	-X
Basic unit					
V23.1A	Multi-Axis Controller 1-axis with spring return, installation from below				
V23A	Multi-Axis Controller 2-axis with spring return, installation from below				
V23.1B	Multi-Axis Controller 1-axis with spring return, installation from top				
V23B	Multi-Axis Controller 2-axis with spring return, installation from top				
Gate					
P	Cross gate				
P X	Special gate				
Axis 1: direction 1-2					
C80	Mechanical encoder				
	MEC 3-1				
	EA/26-10	I max. 1 mA			
	Potentiometer resistance	2x5 kOhm			
	Contact arrangement	Arrangement MS24			
	With 12-pol. JST-connector				
Axis 2: direction 3-4 (not applied for V23.1)					
See description axis 1!					
Special model					
X	Special / customer specified				
Attachments					
	Mating connector JST 12-polig (included in delivery!)		5300000263		
	Mating connector JST 12-pole with single wire 500 mm long		5300000264		

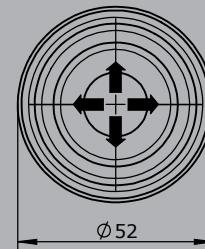
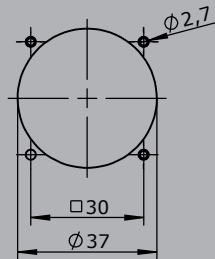
Technical details may vary based on configuration or application! Technical data subject to change without notice!

V23A

Installed from below

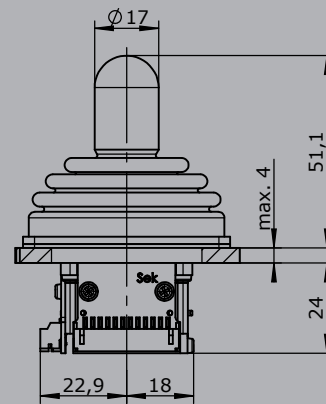
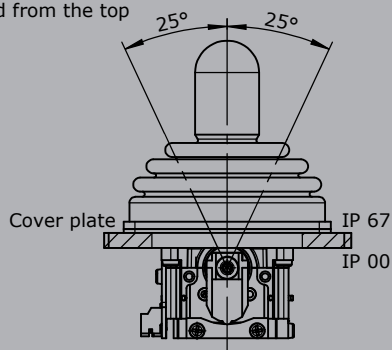


Hole pattern
(installed from below)



V23B

Installed from the top



Hole pattern
(installed from the top)

