



The Multi-Axis Controller VA6 is available in either single-axis or multi-axis options and is a robust explosion proof controller commonly used in crane and hoisting applications. The modular design enables the switching device to be used universally.

## Technical data

Mechanical life VA6	10 million operating cycles
Operation temperature	-40°C to +85°C
Degree of protection	IP54 front IP66 (microswitch and potentiometer)
Identifications	II 2G IIC T5 or T6 II 2D T85° or T95°C
Group of devices	II
Equipment category	2D and 2G
Certificate	OBAC 17 ATEX 0126X



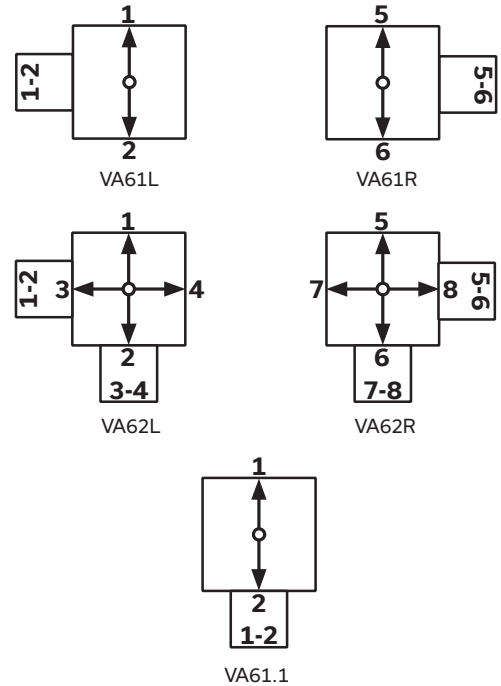
	VA62L	S5	P	T	-01 Z P	+03 R	-A05 P144	+A110
<b>Basic unit</b>	VA62L Multi-Axis Controller 2-axis left							
<b>Control-handle extended</b>	S5 -20 mm							
<b>Gate</b>	P Cross gate							
<b>Grip / Palm Grip</b>	T Dead man							
<b>Axis 1 (direction 1-2)</b>	01 2 contacts Z Spring return P Potentiometer							
<b>Axis 2 (direction 3-4)</b>	03 6 contacts R Friction brake							
<b>Description axis 1 (direction 1-2)</b>	A05 Arrangement MS21							

Example



	VA62L	S5	P	T
<b>Basic unit</b>				
VA61L	1-axis left			
VA61R	1-axis right			
VA61.1	1-axis			
VA62L	2-axis left			
VA62R	2-axis right			
<b>Control-handle extended</b>				
	Standard 180 mm			
S3	-40 mm			
S5	-20 mm			
S8	+20 mm			
<b>Gate</b>				
P	Cross gate			
PX	Special gate			
<b>Grip / Palm Grip</b>				
	Knob (included in basic unit!)			
M	Mechanical zero interlock			
MN	Mechanical zero interlock (push down)			
T	Dead man			
H	Signal button			
D	Push button			
DV	Flush push button			

### Identification of the installation variants with switching directions:



	VA62L	S5	P	T	-01 Z P	+ 03 R	A05	P144	+ A110
<b>Axis 1: direction 1-2 left / direction 5-6 right</b>									
(Contacts gold-plated 2A 250V AC15,  II 2G Ex d IIC T6, connecting cable 6 m)									
01	2 contacts				Standard contact - arrangement see page 127				
02	4 contacts				z.B.				
03	6 contacts				A980	MS00			
04	8 contacts				A05	MS21			
05	10 contacts				A0500	MS21-00			
06	12 contacts				A110	MS24-0			
A99 contact - arrangement according customer request									
Z	Spring return								
R	Friction brake								
P	Potentiometer Ex								
		P144		T1350 2 x 5 kOhm		I max. 1 mA			
		P145		T1350 2 x 10 kOhm		I max. 1 mA			
				II 2G Ex d IIC T6 Gb					
				Connecting cable 6 m					



VA62L S5 P T -01 Z P +03 R -A05 P144 +A110

**Axis 2: direction 3-4 left / Direction 7-8 right**

(Not applicable for VA61, VA61.1)

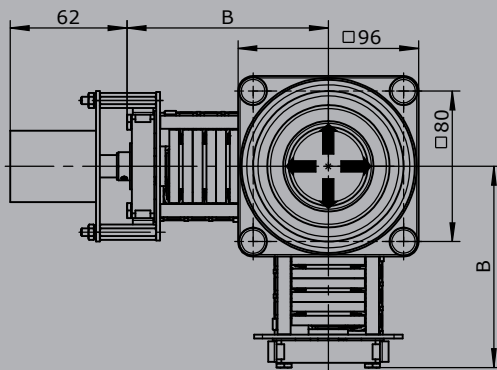
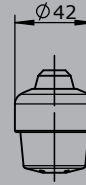
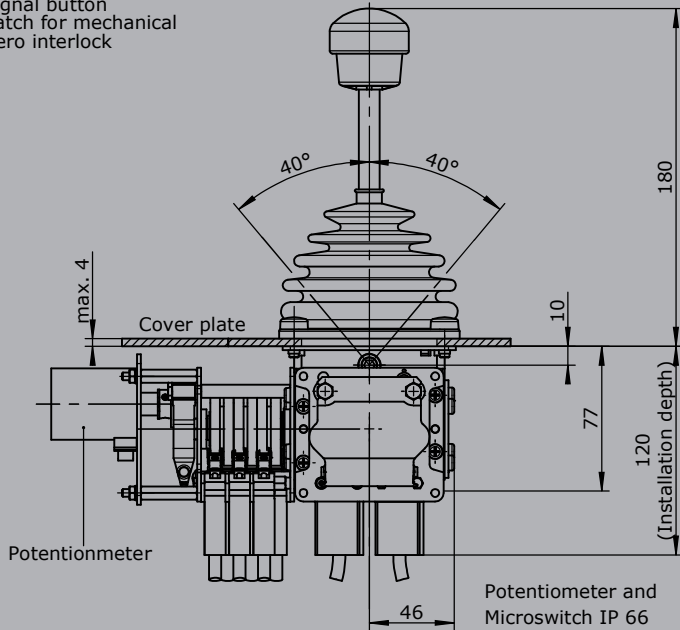
(Contacts gold-plated 2A 250 V AC15, II 2G Ex d IIC T6, connection cable 6 m)

01	2 contacts	Standard contact - arrangement see page 127		
02	4 contacts	z.B.		
03	6 contacts	A980	MS00	
04	8 contacts	A05	MS21	
05	10 contacts	A0500	MS21-00	
06	12 contacts	A110	MS24-0	
		A99 contact - arrangement according customer request		
Z	Spring return			
R	Friction brake			
P	Potentiometer Ex	P144	T1350 2 x 5 kOhm	I max. 1 mA
		P145	T1350 2 x 10 kOhm	I max. 1 mA
		II 2G Ex d IIC T6 Gb		
		Connection cable 6 m		

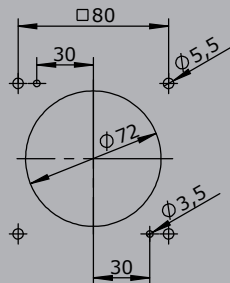


T = Dead man's button  
 H = Signal button  
 M = Latch for mechanical zero interlock

Knob solid  
 D = Push button



Hole pattern



Type	No. of contacts	Dim. B
01	2	82
02	4	94
03	6	107
04	8	119
05	10	132
06	12	144