

Multi-Axis Controller VA6



The Multi-Axis Controller VA6 is available in either single-axis or multi-axis options and is a robust explosion proof controller commonly used in crane and hoisting applications. The modular design enables the switching device to be used universally.

Technical data

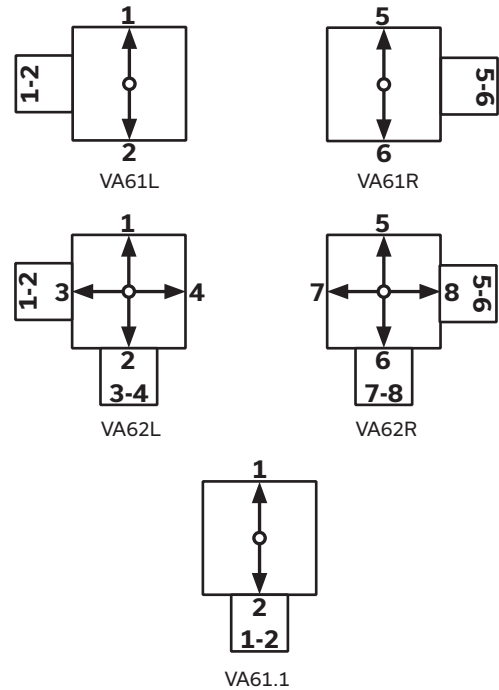
Mechanical life VA6	10 million operating cycles
Operation temperature	-40°C to +85°C
Degree of protection	IP54 front IP66 (microswitch and potentiometer)
Identifications	⊕ II 2G IIC T5 or T6 ⊕ II 2D T85° or T95°C
Group of devices	II
Equipment category	2D and 2G
Certificate	OBAC 17 ATEX 0126X



	VA62L	S5	P	T	-01 Z P	+03 R	-A05 P144	+A110
Basic unit								
VA62L 2-axis left								
Control-handle extended								
S5 -20 mm								
Gate								
P Cross gate								
Grip / Palm Grip								
T Dead man								
Axis 1 (direction 1-2)								
01 2 contacts								
Z Spring return								
P Potentiometer								
Axis 2 (direction 3-4)								
03 6 contacts								
R Friction brake								
Description axis 1 (direction 1-2)								
A05 Arrangement MS21								

	VA62L	S5	P	T
Basic unit				
VA61L	1-axis left			
VA61R	1-axis right			
VA61.1	1-axis			
VA62L	2-axis left			
VA62R	2-axis right			
Control-handle extended				
	Standard 180 mm			
S3	-40 mm			
S5	-20 mm			
S8	+20 mm			
Gate				
P	Cross gate			
P X	Special gate			
Grip / Palm Grip				
	Knob (included in basic unit!)			
M	Mechanical zero interlock			
MN	Mechanical zero interlock (push down)			
T	Dead man			
H	Signal button			
D	Push button			
DV	Flush push button			

Identification of the installation variants with switching directions:



	VA62L	S5	P	T	-01 Z P	+ 03 R	A05	P144	+ A110
Axis 1: direction 1-2 left / direction 5-6 right									
(contacts gold-plated 2A 250V AC15, II 2G Ex d IIC T6, connecting cable 6 m)									
01	2 contacts	Standard contact - arrangement see page 122							
02	4 contacts	z.B.							
03	6 contacts	A980 MS00							
04	8 contacts	A05 MS21							
05	10 contacts	A0500 MS21-00							
06	12 contacts	A110 MS24-0							
A99 contact - arrangement according customer request									
Z	Spring return								
R	Friction brake								
P	Potentiometer Ex	P144	T1350 2 x 5 kOhm		I max. 1 mA				
		P145	T1350 2 x 10 kOhm		I max. 1 mA				
II 2G Ex d IIC T6 Gb Connecting cable 6 m									



VA62L S5 P T -01 Z P +03 R -A05 P144 +A110

Axis 2: direction 3-4 left / Direction 7-8 right

(not applicable for VA61, VA61.1)

(contacts gold-plated 2A 250 V AC15, II 2G Ex d IIC T6, connection cable 6 m)

- 01 2 contacts
- 02 4 contacts
- 03 6 contacts
- 04 8 contacts
- 05 10 contacts
- 06 12 contacts

Standard contact - arrangement see page 122

z.B.

A980 MS00

A05 MS21

A0500 MS21-00

A110 MS24-0

A99 contact - arrangement according customer request

Z Spring return

R Friction brake

P Potentiometer Ex

P144 T1350 2 x 5 kOhm I max. 1 mA

P145 T1350 2 x 10 kOhm I max. 1 mA

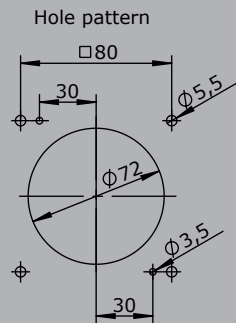
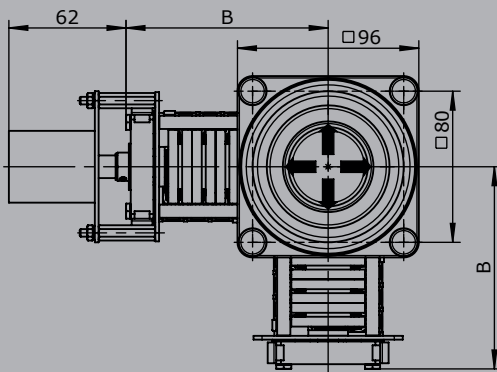
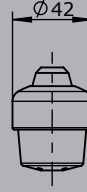
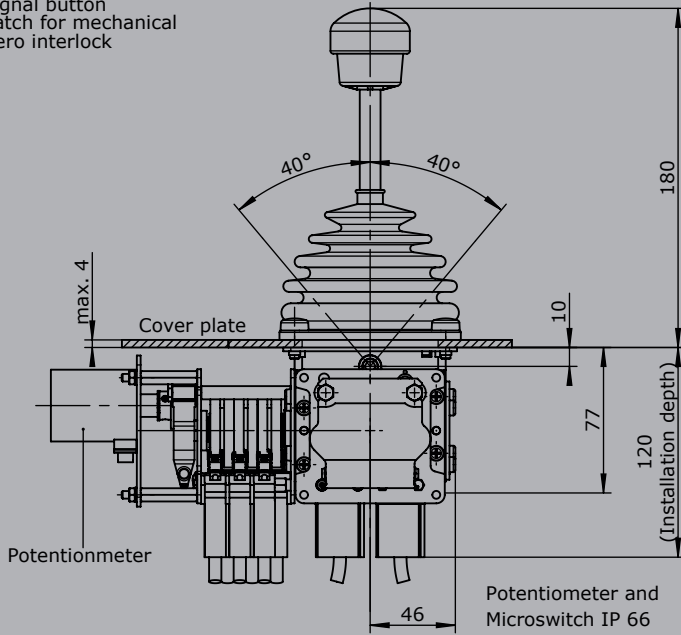
II 2G Ex d IIC T6 Gb

connection cable 6 m



T = Dead man's button
 H = Signal button
 M = Latch for mechanical zero interlock

Knob solid
 D= Push button



Type	No. of contacts	Dim. B
01	2	82
02	4	94
03	6	107
04	8	119
05	10	132
06	12	144