

# Multi-Axis Controller V6 / VV6



The Multi-Axis Controller V6 / VV6 is a robust switching device designed for crane systems and hoisting equipment. The modular design and the many possible combinations with our Palm Grips make this joystick universally applicable.

## Technical data

Mechanical life V6	10 million operating cycles
Mechanical life VV6	20 million operating cycles
Operation temperature	-40°C to +85°C
Degree of protection	up to IP54 front



	V62L	S5	P	T	Example					-X
					-01 Z P	+03A R C	-A05 P134	+A110 C01		
<b>Basic unit</b>										
V62L 2-axis left										
<b>Control-handle extended</b>										
S5 -20 mm										
<b>Gate</b>										
P Cross gate										
<b>Grip / Palm Grip</b>										
T Dead man										
<b>Axis 1 (direction 1-2)</b>										
01 2 contacts (2A 250 V AC15)										
Z Spring return										
P Potentiometer										
<b>Axis 2 (direction 3-4)</b>										
03A 6 contacts (4A 250 V AC15)										
R Friction brake										
C Opto-electronical encoder										
<b>Description axis 1 (direction 1-2)</b>										
A05 Arrangement MS21										
P134 Potentiometer T396 2 x 5 kOhm										
<b>Description axis 2 (direction 3-4)</b>										
A110 Arrangement MS24-0										
C01 OEC 2-1-1										
<b>Special model</b>										
X Special / customer specified										

Technical details may vary based on configuration or application! Technical data subject to change without notice!

### Combination possibilities with our grips



V62L S5 P T -01 Z P +03A R C -A05 P134 +A110 C01 -X

#### Basic unit

V61L	1-axis left
V61R	1-axis right
V61.1	1-axis
V64.1	1-axis
V62L	2-axis left
V62R	2-axis right
V64	2-axis

#### reinforced version

VV61L	1-axis left
VV61R	1-axis right
VV61.1	1-axis
VV64.1	1-axis
VV62L	2-axis left
VV62R	2-axis right
VV64	2 axis

#### Control-handle extended

Standard 180 mm\*

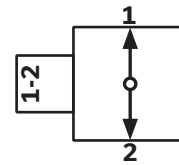
S3	-40 mm
S5	-20 mm
S8	+20 mm

\*Only available in combination with a handle!

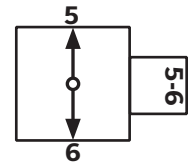
#### Gate

P	Cross gate
P X	Special gate

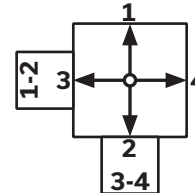
#### Identification of the installation variants with switching directions:



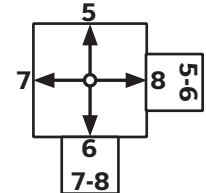
V61L/VV61L



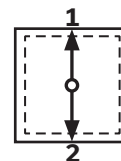
V61R/VV61R



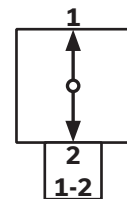
V62L/VV62L



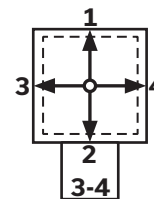
V62R/VV62R



V64.1/VV64.1



V61.1/VV61.1



V64/VV64

V62L S5 P T -01 Z P +03A R C -A05 P134 +A110 C01 -X

Grip / Palm Grip	
	Knob (included in basic unit!)
M	Mechanical zero interlock
MN	Mechanical zero interlock (push down)
T	Dead man
MT*	Mechanical zero interlock + dead man
H	Signal button
MH	Mechanical zero interlock + signal button
D	Push button
MD*	Mechanical zero interlock + push button
DV	Flush push button
MDV*	Mechanical zero interlock + flush push button
*Only possible with VV6!	
B...	Palm Grip B... (see Palm Grip page 154)
<i>Attention! When using some handles the deflection angle can be reduced to 28°!</i>	

V62L S5 P T -01 Z P +03A R C -A05 P134 +A110 C01 -X

Axis 1: direction 1-2 left / direction 5-6 right			
(Standard contacts gold-plated 2A 250 V AC15)			
01 <input type="checkbox"/>	2 contacts	Standard contact - arrangement see page 122	
02 <input type="checkbox"/>	4 contacts	z.B.	
03 <input type="checkbox"/>	6 contacts	A980	MS00
04 <input type="checkbox"/>	8 contacts	A05	MS21
05 <input type="checkbox"/>	10 contacts	A0500	MS21-00
06 <input type="checkbox"/>	12 contacts	A110	MS24-0
<input type="checkbox"/> = silver contacts (4A 250V AC15)		A99 contact - arrangement according customer request	
Z	Spring return		
R	Friction brake		
(P)	Possibility of mounting potentiometer and encoder (Gessmann-types)		
P	Potentiometer	P131	T396 2 x 0,5 kOhm   max. 1 mA
		P132	T396 2 x 1 kOhm   max. 1 mA
		P133	T396 2 x 2 kOhm   max. 1 mA
		P134	T396 2 x 5 kOhm   max. 1 mA
		P135	T396 2 x 10 kOhm   max. 1 mA
		More potentiometers on request!	
C	Encoder	C... Encoder see page 130	

V62L S5 P T -01 Z P +03A R C -A05 P134 +A110 C01 -X

### Axis 2: direction 3-4 left / Direction 7-8 right

(not applicable for V/VV61, V/VV61.1, V/VV64.1)

(Standard contacts gold-plated 2A 250 V AC15)

01	<input type="checkbox"/>	2 contacts	Standard contact - arrangement see page 122	
02	<input type="checkbox"/>	4 contacts	z.B.	
03	<input type="checkbox"/>	6 contacts	A980	MS00
04	<input type="checkbox"/>	8 contacts	A05	MS21
05	<input type="checkbox"/>	10 contacts	A0500	MS21-00
06	<input type="checkbox"/>	12 contacts	A110	MS24-0
		<input checked="" type="checkbox"/> = Silver contacts (4A 250 V AC15)	A99 contact - arrangement according customer request	

Z Spring return

R Friction brake

(P) Possibility of mounting potentiometer and encoder (Gessmann-types)

P	Potentiometer	P131	T396 2 x 0,5 kOhm	I max. 1 mA
		P132	T396 2 x 1 kOhm	I max. 1 mA
		P133	T396 2 x 2 kOhm	I max. 1 mA
		P134	T396 2 x 5 kOhm	I max. 1 mA
		P135	T396 2 x 10 kOhm	I max. 1 mA
		<i>More potentiometers on request!</i>		

C Encoder C... Encoder see page 157

V62L S5 P T -01 Z P +03A R C -A05 P134 +A110 C01 -X

### Special model

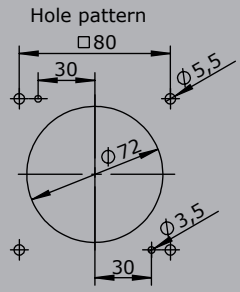
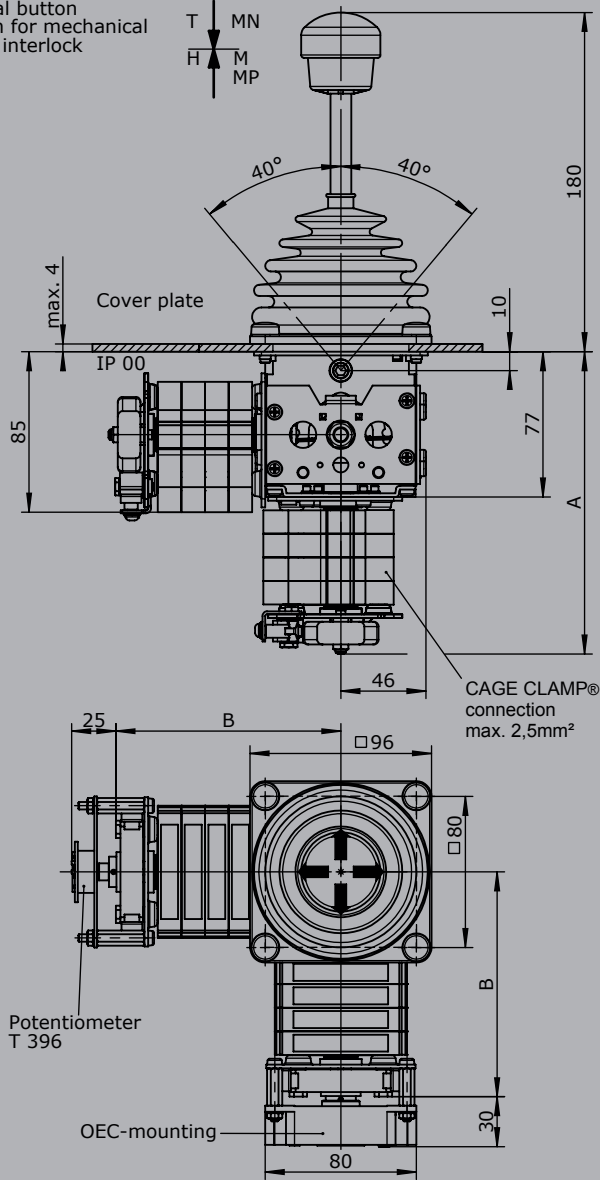
X Special /customer specified

### Attachments

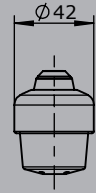
Indicating labels

Indicating labels with engraving

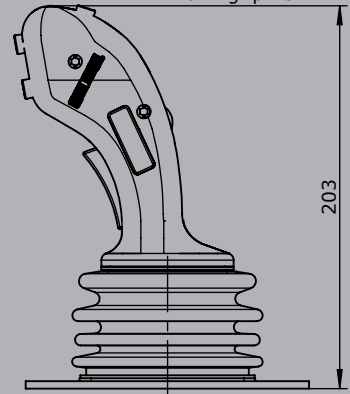
T = Dead man's button  
 H = Signal button  
 M = Latch for mechanical zero interlock



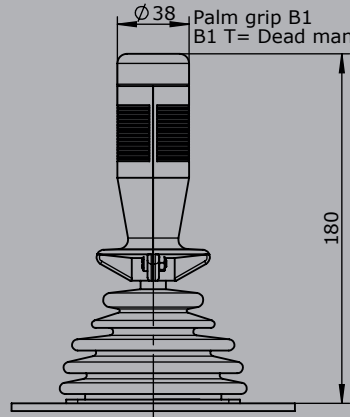
Knob solid  
 D= Push button



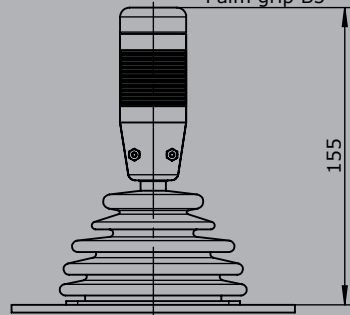
Palm grip B3



Palm grip B1  
 B1 T= Dead man's button



Palm grip B5



Type	No. of contacts	Dim. A	Dim. B
01	2	119	82
02	4	131	94
03	6	144	107
04	8	156	119
05	10	169	132
06	12	181	144

Technical details may vary based on configuration or application! Technical data subject to change without notice!