

# Multi-Axis Controller V23



The V23 is a switching device for remote control applications. The integrated sensor system has signal and potentiometer tracks in conductive plastic technology. Detent points are optionally selectable. Due to its small dimensions it can be optimally integrated into small remote control housings.

## Technical data

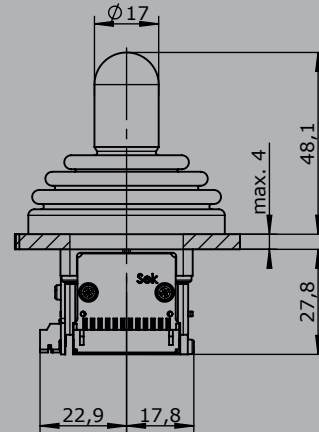
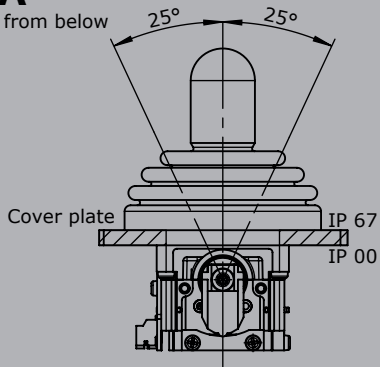
Mechanical life V23	3 million operating cycles
Operation temperature	-40°C to +85°C
Degree of protection	IP67 front



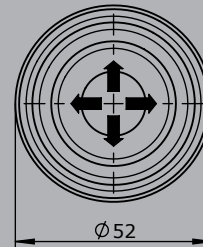
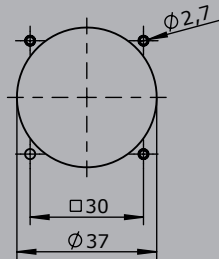
	V23A	-P	-C80	+C80	-X
<b>Basic unit</b>					
V23.1A	1-axis with spring return, installation from below				
V23A	2-axis with spring return, installation from below				
V23.1B	1-axis with spring return, installation from top				
V23B	2-axis with spring return, installation from top				
<b>Gate</b>					
P	Cross gate				
P X	Special gate				
<b>Axis 1: direction 1-2</b>					
C80	Mechanical encoder				
	MEC 3-1				
	EA/26-10				
	Potentiometer resistance				
	Contact arrangement				
	with 12-pol. JST-connector				
		I max. 1 mA			
		2x5 kOhm			
		Arrangement MS24			
<b>Axis 2: direction 3-4 (not applied for V23.1)</b>					
	See description axis 1!				
<b>Special model</b>					
X	Special / customer specified				
<b>Attachments</b>					
	Mating connector JST 12-pole (included in delivery!)			5300000263	
	Mating connector JST 12-pole with single wire 500 mm long			5300000264	

### V23A

Installed from below

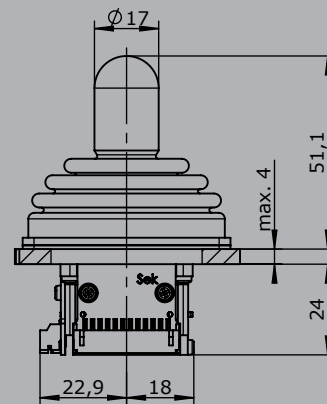
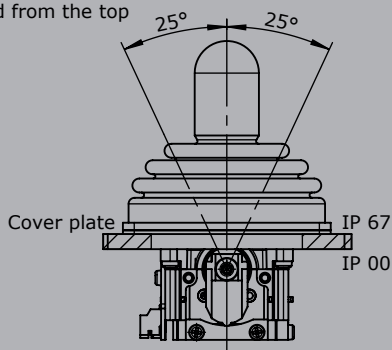


Hole pattern  
(installed from below)



### V23B

Installed from the top



Hole pattern  
(installed from the top)

