

Multi-Axis Controller V22



The V22 is a joystick commonly used in electro-hydraulic applications. Long life and high reliability is ensured by the latest contactless hall-technology.

Technical data

Mechanical life V22	3 million operating cycles
Operation temperature	-40°C to +85°C
Degree of protection	IP67 front
Functional safety	PLd compatible (EN ISO 13849, complies SIL2 to DIN EN IEC 61508)

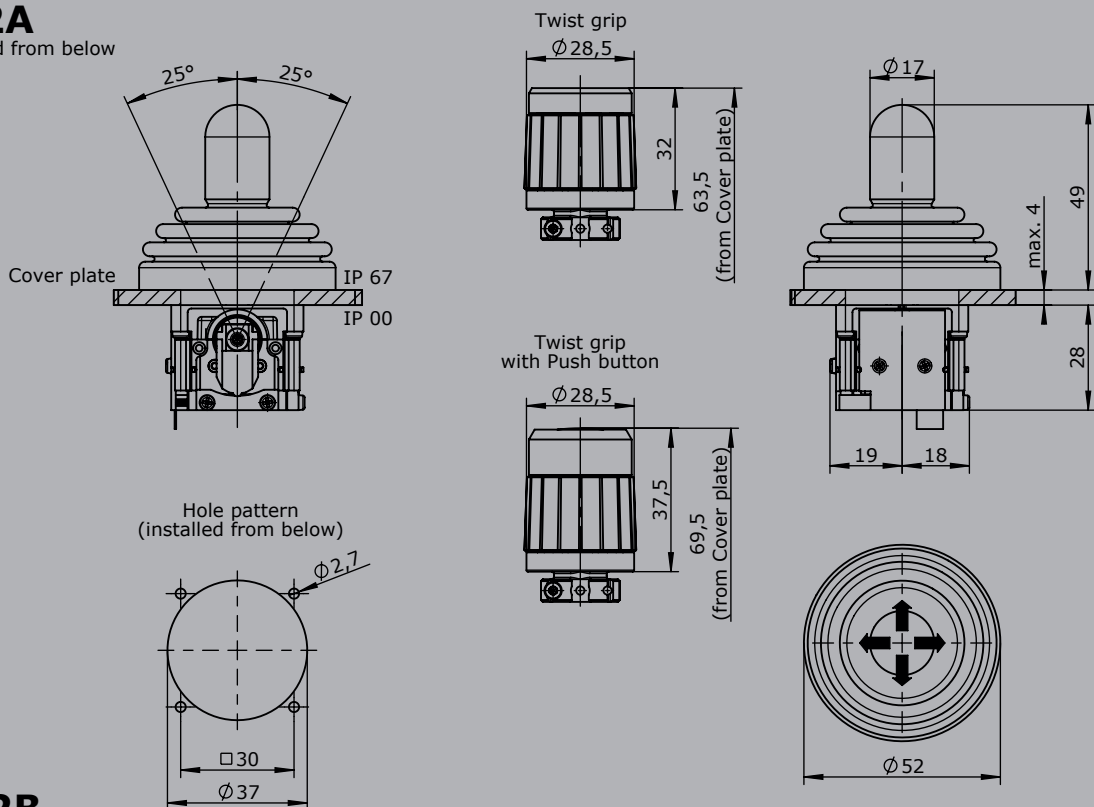


	V22A	-P	Example	D	-E10321	-X
Basic unit						
V22.1A	1-axis with spring return, installation from below					
V22A	2-axis with spring return, installation from below					
V22.1B	1-axis with spring return, installation from top					
V22B	2-axis with spring return, installation from top					
Gate						
P	Cross gate					
P X	Special gate					
Grip						
	Knob (standard)					
D	Push button					
GS9	Hall-twist grip with spring return					
GS9-D	Hall-twist grip with spring return and push button on top					
Interface						
Voltage output						
0,5...2,5...4,5 V redundant, Ub= 5 V	1 axis				E103	1
	2 axis					2
	Characteristic:					
	Inverse dual (standard)					1
	Dual					2
Special model						
X	Special / customer specified					
Attachments						
Mating connector JST 8-pole					5300000260	
Mating connector JST 8-pole with single wire 500 mm long					5300000261	

Technical details may vary based on configuration or application! Technical data subject to change without notice!

V22A

Installed from below



V22B

Installed from the top

