

Single-Axis Controller S3




The Single-Axis Controller S3 is a rugged switching device for hoisting applications. The modular design enables the switching device to be used universally. The Single-Axis Controller is resistant to oil, maritime conditions e.g. offshore /vessels, UV radiation typically from the sun

Technical data

| | |
|-----------------------|-----------------------------|
| Mechanical life S3 | 12 million operating cycles |
| Operating temperature | -40°C to +85°C |
| Degree of protection | IP66 front |

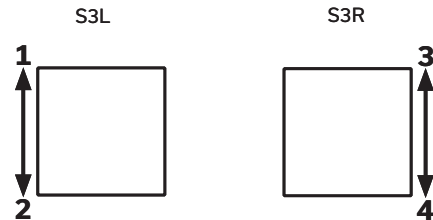


| | S3L | S5 | Q | -2 R P | -B | -A05 P484 | -E1291 | -S... | -X |
|---|-----|----|---|--------|----|-----------|--------|-------|----|
| Basic unit | | | | | | | | | |
| S3L Single-Axis Controller left | | | | | | | | | |
| Control-handle extended | | | | | | | | | |
| S5 -20 mm | | | | | | | | | |
| Grip- control-handle left | | | | | | | | | |
| Q T-grip | | | | | | | | | |
| Axis 1 | | | | | | | | | |
| 2 2 contacts (1,5A 24 V DC13) | | | | | | | | | |
| R Friction brake | | | | | | | | | |
| P Potentiometer | | | | | | | | | |
| Cover housing | | | | | | | | | |
| B Cover housing | | | | | | | | | |
| Description axis 1 (direction 1-2) | | | | | | | | | |
| A05 Arrangement MSP21 | | | | | | | | | |
| P484 Potentiometer T318 2 x 5 kOhm | | | | | | | | | |
| Interface | | | | | | | | | |
| E1291 Voltage output 0...5...10 V | | | | | | | | | |
| Plug connectors | | | | | | | | | |
| S.. Standard plug connectors (see page 120) | | | | | | | | | |
| Special model | | | | | | | | | |
| X Special / customer specified | | | | | | | | | |

Technical details may vary based on configuration or application! Technical data subject to change without notice!

| | S3L | S5 | Q | -2 R P | -B | -A05 | P484 | -E1291 | -S... | -X |
|--|--|----|---|--------|----|------|------|--------|-------|----|
| Basic unit | | | | | | | | | | |
| S3L | Single-Axis Controller, control-handle left | | | | | | | | | |
| S3R | Single-Axis Controller, control-handle right | | | | | | | | | |
| Control-handle extended | | | | | | | | | | |
| | Standard 148 mm* | | | | | | | | | |
| S5 | -20 mm | | | | | | | | | |
| S8 | +20 mm | | | | | | | | | |
| *Only possible in combination with handle! | | | | | | | | | | |
| Grip | | | | | | | | | | |
| | Knob | | | | | | | | | |
| D | Push button | | | | | | | | | |
| Q | T-grip | | | | | | | | | |
| QD | T-grip with push button side | | | | | | | | | |

**Identification of the installation variants
with switching directions:**



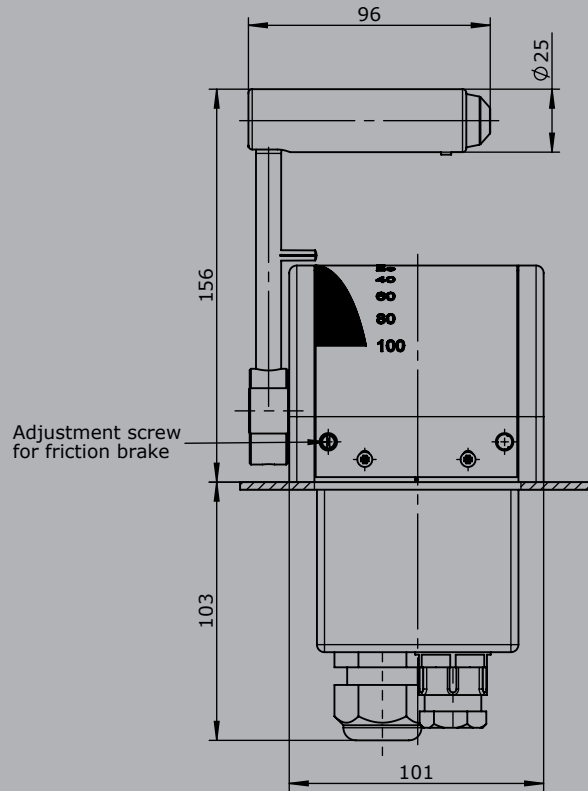
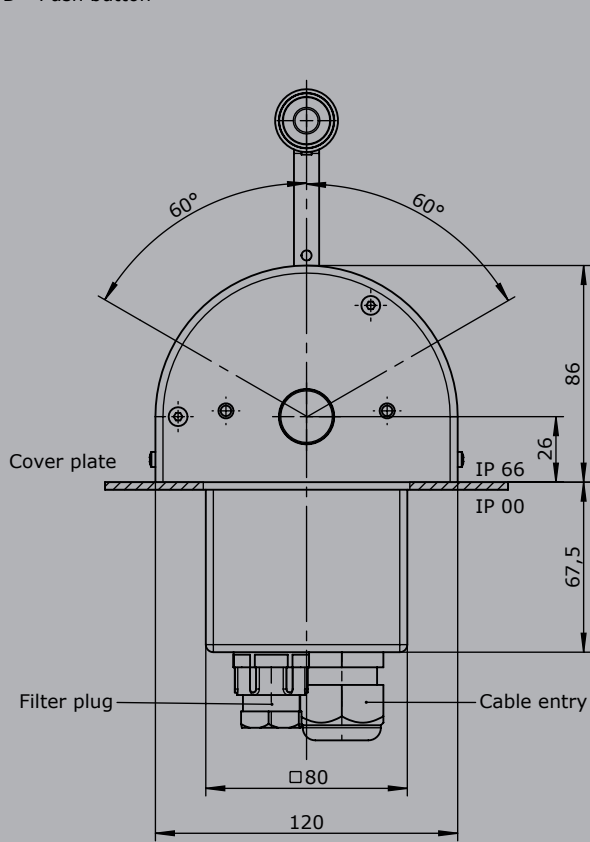
| | S3L | S5 | Q | -2 R P | -B | -A05 | P484 | -E1291 | -S... | -X | |
|-----------------------------------|--|--------|---------------|---------------------------------------|----|------|------|--------|-------|----|-------------|
| Axis 1: direction 1-2 left | | | | | | | | | | | |
| 1 | 1 contact | | | | | | | | | | |
| 2 | 2 contacts | | | | | | | | | | |
| 3 | 3 contacts | | | | | | | | | | |
| | Standard contact - arrangement see page 122 | | | | | | | | | | |
| | z.B. | | | | | | | | | | |
| | A98 | | | | | | | | | | |
| | A05 | | | | | | | | | | |
| | A050 | | | | | | | | | | |
| | A99 contact - arrangement according customer request | | | | | | | | | | |
| R | Friction brake | | | | | | | | | | |
| (P) | Possibility of mounting potentiometer and encoder (Gessmann-types) | | | | | | | | | | |
| P | Potentiometer | P484 | T318 2x5 kOhm | | | | | | | | I max. 1 mA |
| | More potentiometers on request! | | | | | | | | | | |
| H | Hall-Potentiometer | E14811 | | 0,5...2,5...4,5 V / 4,5...2,5...0,5 V | | | | | | | |

| | S3L | S5 | Q | -2 R P | -B | -A05 | P484 | -E1291 | -S... | -X |
|---|------------------------------|----|---|--------|----|------|------|--------|-------|----|
| Cover housing | | | | | | | | | | |
| B | Cover housing | | | | | | | | | |
| Interface (description on the following pages) | | | | | | | | | | |
| | Potentiometer output | | | | | | | | | |
| E1xx | Voltage output | | | | | | | | | |
| E2xx | Current output | | | | | | | | | |
| Special model | | | | | | | | | | |
| X | Special / customer specified | | | | | | | | | |

| Voltage output | | | |
|--|---|--------|---|
| Supply voltage | 11,5-32 V DC | | |
| Wiring | Cable 500 mm long without plug connector | | |
| | Optional with plug connector (<i>standard plug connectors see page 120</i>) | | |
| 0...5...10V | 1 axis | E112 1 | S |
| 10...0...10V | 1 axis | E141 1 | |
| -10...0...+10V | 1 axis | E140 1 | |
| <i>Voltage output with other value on request!</i> | | | |

| Current output | | | |
|----------------|---|--------|---|
| Supply voltage | 18-36 V DC | | |
| Wiring | Cable 500mm long without plug connector | | |
| | Optional with plug connector (<i>standard plug connectors see page 120</i>) | | |
| 4...12...20 mA | 1 axis | E209 1 | S |
| 20...4...20 mA | 1 axis | E217 1 | |

T - grip
D= Push button



Knob solid
D= Push button

