

# Single-Axis Controller

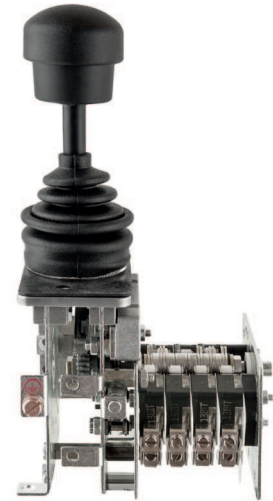
## S2 / SS2 / S21



The Single-Axis Controller S2 / SS2 / S21 is a robust switching device for remote controlled and electrohydraulic applications. The modular design of the switching device is universally applicable.

### Technical data

Mechanical life S2 / S21	6 million operating cycles
Mechanical life SS2	10 million operating cycles
Operating temperature	-40°C to +85°C
Degree of protection	up to IP54

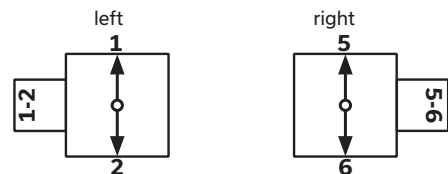


*Example*

	S2L	S5	T	- 02 Z P	- A050 P134	- X
<b>Basic unit</b>						
S2L left						
<b>Control-handle extended</b>						
S5 -20 mm						
<b>Grip / Palm Grip</b>						
T Dead man						
<b>Axis 1 (direction 1-2)</b>						
02 3 contacts (2A 250 V AC15)						
Z Spring return						
P Potentiometer						
<b>Description axis 1 (direction 1-2)</b>						
A050 Arrangement MSP21-0						
P134 Potentiometer T396 2 x 5 kOhm						
<b>Special model</b>						
X Special / customer specified						

	S2L	S5	T	- 02 Z P	- A050 P134	- X
<b>Basic unit</b>						
S2L Single-Axis Controller left						
S2R Single-Axis Controller right						
S21L Single-Axis Controller left with flange 96 x 96 mm						
S21R Single-Axis Controller right with flange 96 x 96 mm						
Reinforced version						
SS2L Single-Axis Controller left						
SS2R Single-Axis Controller right						
SS21L Single-Axis Controller left with flange 96 x 96 mm						
SS21R Single-Axis Controller right with flange 96 x 96 mm						
<b>Control-handle extended</b>						
Standard						
S5 -20 mm						
S8 +20 mm						

### Identification of the installation variants with switching directions:



Technical details may vary based on configuration or application! Technical data subject to change without notice!

## Combination possibilities with our handles (valid for Single-Axis Controller S21)



S2L                      S5                      T                      - 02 Z P                      - A050 P134                      - X

### Grip / Palm Grip

- Knob (standard)
- M Mechanical zero interlock
- MN Mechanical zero interlock (push down)
- T Dead man
- MT Mechanical zero interlock + dead man
- H Signal button
- MH Mechanical zero interlock + signal button
- D Push button
- MD Mechanical zero interlock + push button
- DV Flush push button
- MDV Mechanical zero interlock + flush push button
- B... Palm Grip B... (see page Palm Grip 154)

S2L                      S5                      T                      - 02 Z P                      - A050 P134                      - X

### Axis 1: direction 1-2 left / direction 5-6 right

02	3 contacts	Standard contact - arrangement see page 122		
03	5 contacts	z.B.		
04	7 contacts	A98	MS0	
05	9 contacts	A05	MS21	
		A0500	MS21-00	
		A110	MS24-0	
		<i>A99 contact - arrangement according customer request</i>		
Z	Spring return			
R	Friction brake			
(P)	Possibility of mounting potentiometer and encoder (Gessmann-types)			
P	Potentiometer	P131	T396 2 x 0,5 kOhm	I max. 1 mA
		P132	T396 2 x 1 kOhm	I max. 1 mA
		P133	T396 2 x 2 kOhm	I max. 1 mA
		P134	T396 2 x 5 kOhm	I max. 1 mA
		P135	T396 2 x 10 kOhm	I max. 1 mA
		<i>More potentiometers on request!</i>		
C	Encoder	C... Encoder see page 157		

S2L                      S5                      T                      - 02 Z P                      - A050 P134                      - X

### Special model

- X Special / customer specified
- X1 Microswitch (MZT 1) positively driven NC contact

### Attachments

- Indicating labels
- Indicating labels with engraving

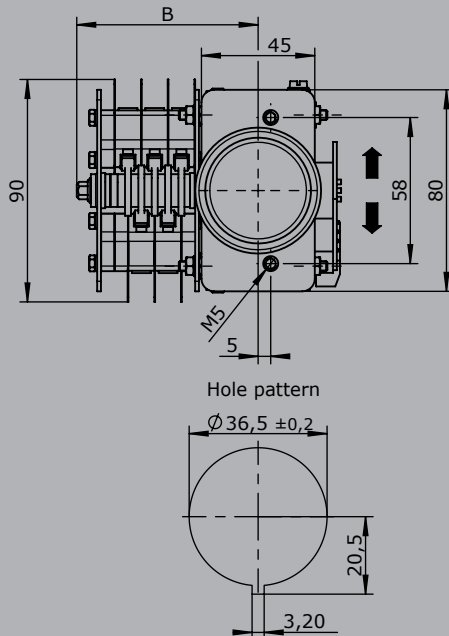
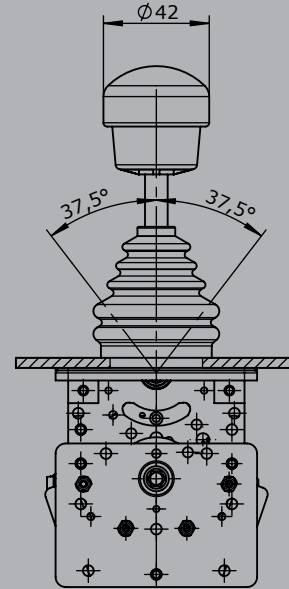
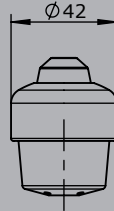
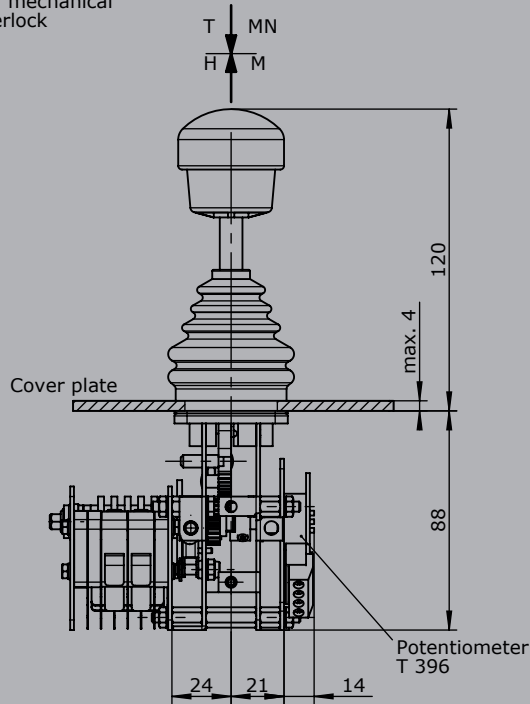
# Single-Axis Controller

S2 / SS2 / S21

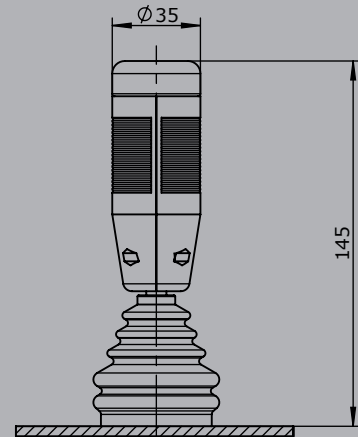


T = Dead man's button  
 H = Signal button  
 M = Latch for mechanical zero interlock

Knob solid  
 D = Push button



Palm grip B5  
 B5 T = Dead man's button



Type	No. of contacts	Maß B
02	3	62
03	5	72
04	7	83
05	9	93

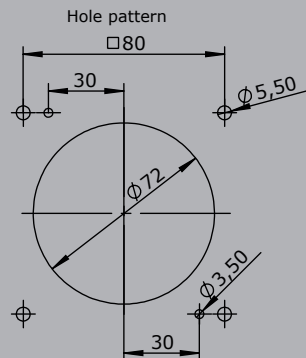
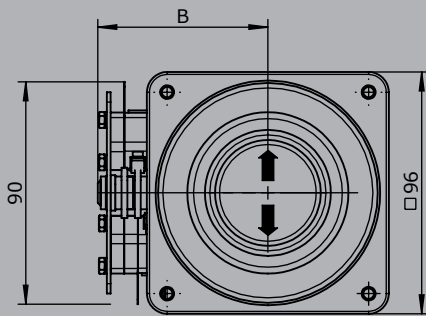
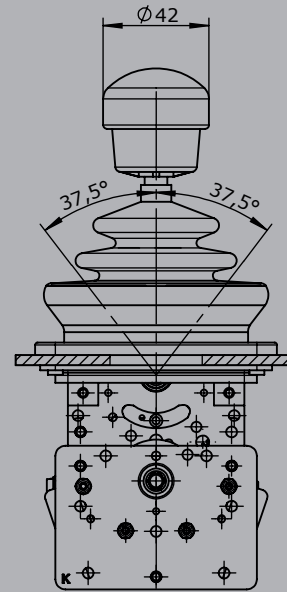
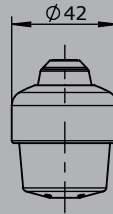
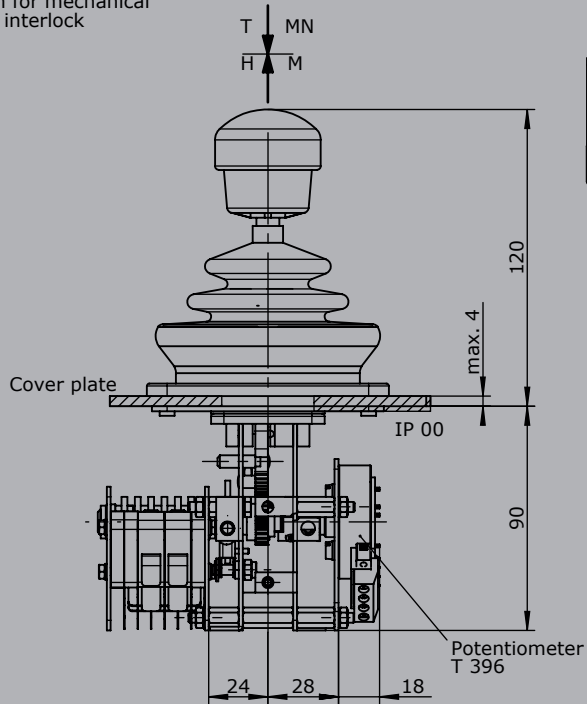
# Single-Axis Controller

S2 / SS2 / S21

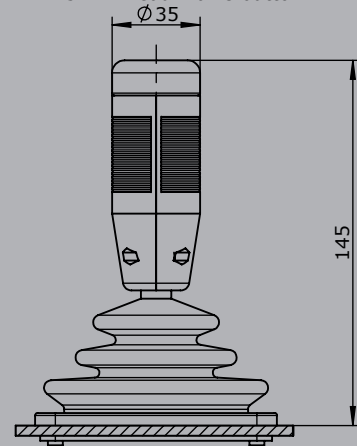


T = Dead man's button  
 H = Signal button  
 M = Latch for mechanical zero interlock

Knob solid  
 D = Push button



Palm grip B5  
 B5 T = Dead man's button



Type	No. of contacts	Maß B
02	3	62
03	5	72
04	7	83
05	9	93