

Single-Axis Controller

S22 / SS22



The Single-Axis Controller S22 / SS22 is a robust switching device for remote controlled and electrohydraulic applications. The modular design of the switching device is universally applicable.

Technical data

Mechanical life S22	6 million operating cycles
Mechanical life SS22	10 million operating cycles
Operating temperature	-40°C to +85°C
Degree of protection	up to IP54

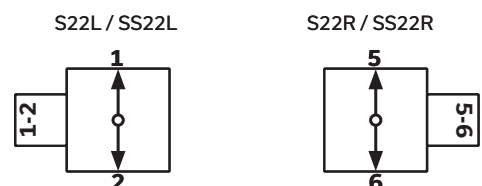


	S22L	S5	T	- 3 Z P	- A050 P134	- X
Basic unit	S22L left					
Control-handle extended	S5 -20 mm					
Grip / Palm Grip	T Dead man					
Axis 1 (direction 1-2)	3 3 contacts (2A 250 V AC15)					
	Z Spring return					
	P Potentiometer					
Description axis 1 (direction 1-2)	A050 Arrangement MSP21-0					
	P134 Potentiometer T396 2 x 5 kOhm					
Special model	X Special / customer specified					

	S22L	S5
Basic unit	S22L Single-Axis Controller left	
	S22R Single-Axis Controller right	
	Reinforced version	
	SS22L Single-Axis Controller left	
	SS22R Single-Axis Controller right	
Control-handle extended	Standard	
	S5 -20 mm	
	S8 +20 mm	

T - 3 Z P - A050 P134 - X

Identification of the installation variants with switching directions:



Technical details may vary based on configuration or application! Technical data subject to change without notice!

S22L S5 T - 3 Z P - A050 P134 - X

Grip / Palm Grip

	Knob (standard)
M	Mechanical zero interlock
MN	Mechanical zero interlock (push down)
T	Dead man
MT	Mechanical zero interlock + dead man
H	Signal button
MH	Mechanical zero interlock + signal button
D	Push button
MD	Mechanical zero interlock + push button
DV	Flush push button
MDV	Mechanical zero interlock + flush push button
B...	Palm Grip B... (on request!)

S22L S5 T - 3 Z P - A050 P134 - X

Axis 1: direction 1-2 left / direction 5-6 right

1	1 contact	Standard contact - arrangement see page 122		
2	2 contacts	z.B.		
3	3 contacts	A98	MS0	
4	4 contacts	A05	MS21	
		A0500	MS21-00	
		A99 contact - arrangement according customer request		
Z	Spring return			
R	Friction brake			
(P)	Possibility of mounting potentiometer and encoder (Gessmann-types)			
P	Potentiometer	P131	T396 2 x 0,5 kOhm	I max. 1 mA
		P132	T396 2 x 1 kOhm	I max. 1 mA
		P133	T396 2 x 2 kOhm	I max. 1 mA
		P134	T396 2 x 5 kOhm	I max. 1 mA
		P135	T396 2 x 10 kOhm	I max. 1 mA
		More potentiometers on request!		
C	Codierer	C...Encoder see page 130		

S22L S5 T - 3 Z P - A050 P134 - X

Special model

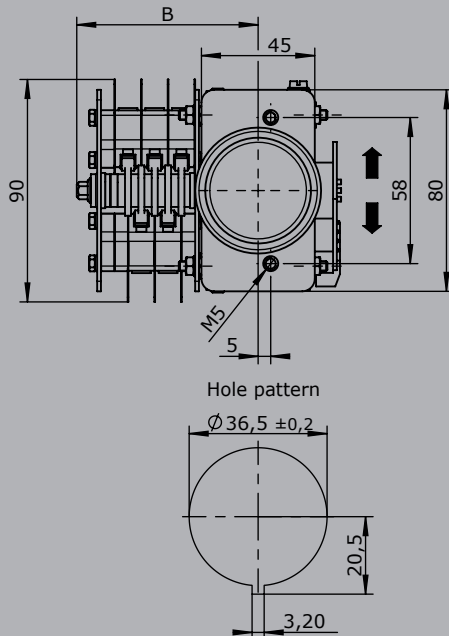
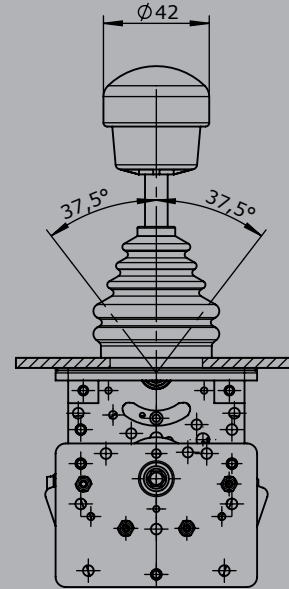
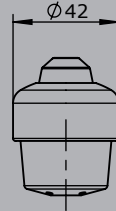
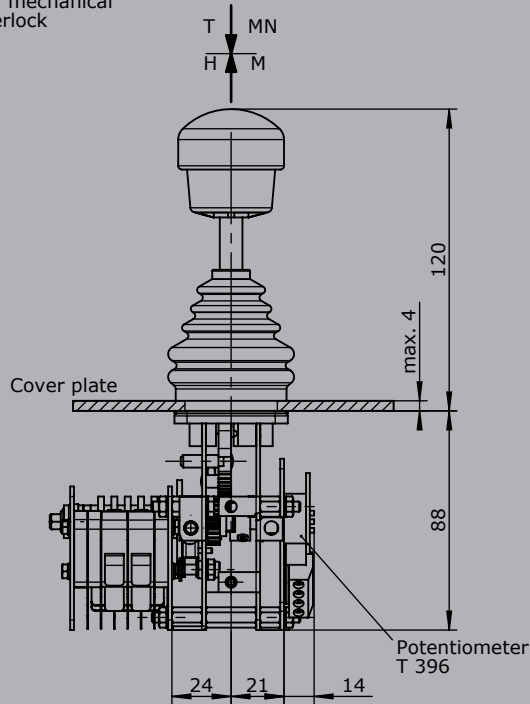
X	Special / customer specified
X1	Switching run 2-0-2

Attachments

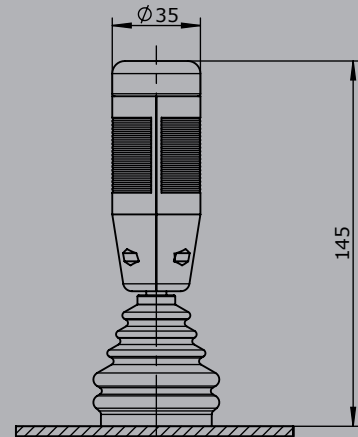
Indicating labels
Indicating labels with engraving

T = Dead man's button
 H = Signal button
 M = Latch for mechanical zero interlock

Knob solid
 D = Push button



Palm grip B5
 B5 T = Dead man's button



Type	No. of contacts	Maß B
02	3	62
03	5	72
04	7	83
05	9	93