

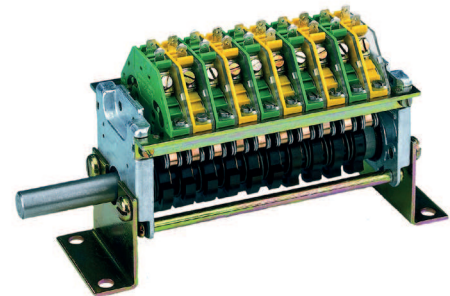
Signal-Cam Controller NU1



The Signal-Cam Controller NU 1 is used as a signal and annunciation switch in HV systems. This rugged switching device has cam discs made of insulation material that can be set at 10° intervals. The Signal-Cam Controllers are designed to permit series assembly, which can be operated simultaneously.

Technical data

Mechanical life NU1	2 million operating cycles
Operation temperature	-40°C to +85°C
Degree of protection	IP40 / IP65 with aluminium housing

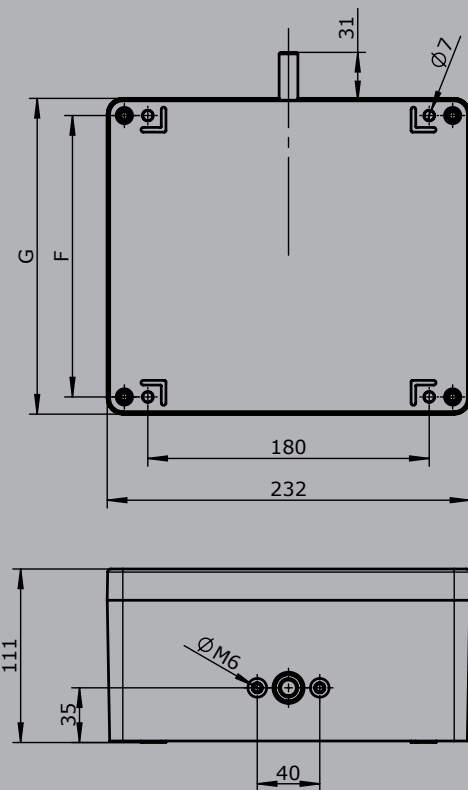
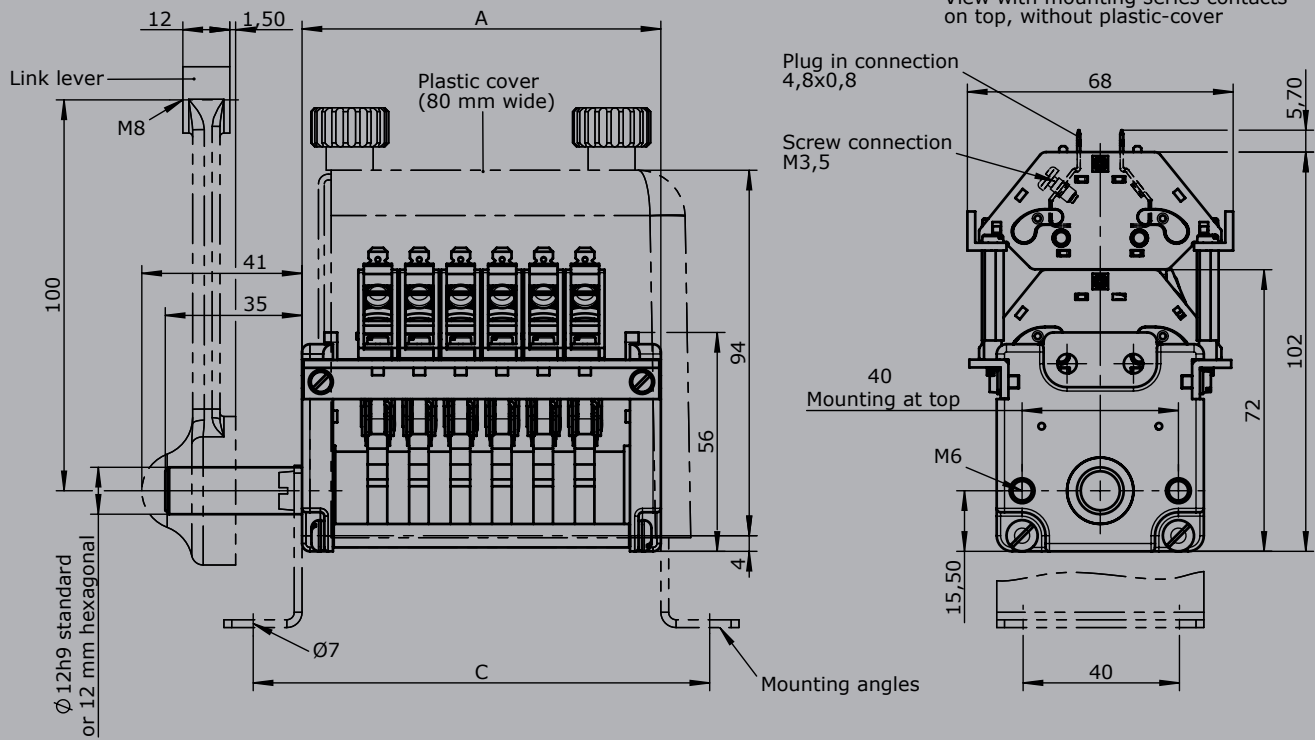


Switching capacity	NC	NO	Time constant
250 V DC	2A	1A	20 ms
125 V DC	4A	3A	20 ms
50 V DC	6A	6A	20 ms
30 V DC	10A	10A	20 ms
250 V DC15	6A	6A	

	NU1	-4	-4	-F2	Example -Z	-W	-A	-X
Basic unit	NU 1 Signal-Cam Controller							
Contacts (1. range)								
2	2 contacts							
4	4 contacts							
6	6 contacts							
8	8 contacts							
10	10 contacts							
12	12 contacts							
14	14 contacts							
16	16 contacts							
Contacts (2. range)								
2	2 contacts							
4	4 contacts							
6	6 contacts							
8	8 contacts							
10	10 contacts							
12	12 contacts							
14	14 contacts							
16	16 contacts							

Technical details may vary based on configuration or application! Technical data subject to change without notice!

	NU1	-4	-4	-F2	-Z	-W	-A		-X
Option									
F1	1 free shaft-end with hexagonal 12 mm								
F2	2 free shaft-end diameter 12 mm								
F3	2 free shaft-end with hexagonal 12 mm								
Z	Spring return								
W	Mounting angles (2 pieces)								
GH	Link lever								
A	Cover housing off Astralon								
	Til installation size 4 contacts								
	Til installation size 8 contacts								
	Til installation size 12 contacts								
	Til installation size 16 contacts								
B	Shock protection KEG 142 for single contact								
Aluminium housing									
U11	U23/20 232 x 202 mm (max. 10 contacts)								
U12	U23/28 232 x 280 mm (max. 16 contacts)								
	<i>Housing only possible with single-row version contacts</i>								
Special model									
X	Special / customer specified								



Type	No. of contacts	Dim. A	Dim. C	Housing	Dim. F	Dim. G
2	2	7	74	U 23/20	180	202
4	4	70	95			
6	6	91	117			
8	8	113	138			
10	10	134	159	U 23/28	260	280
12	12	155	180			
14	14	176	201			
16	16	197	222			