

# Control Unit

## KST 31 swiveling



The KST31 is an ergonomically designed swiveling control chair which provides a high degree of comfort. The consoles, mounted to the Driver's Seat, swing with the seat. The consoles can be positioned to perfectly match any person by means of length, height and inclination adjustment. The standard version includes:

### Consoles:

The plastic consoles can be equipped with custom command and indicating devices.

### Driver's Seat:

The comfortable Driver's Seat KFS 11 is equipped with a spring loaded hydraulic vibration absorption system, including weight adjustment, air-permeable textile cover, arm rests and head rest.

### Cross-member with swivel base:

The cover of the sheet steel cross-member including the Driver's Seat is forward foldable. Thereby all wirings, terminals and bushings are easily accessible during commissioning and maintenance. Swivel base has zero-tolerance bearings and rotation can be locked in 3° steps.

### Surface treatment:

Base coat and textured varnish

Standard colour RAL 7035 light grey in combination with RAL 7016 anthracite



Example

KST311 / -U2 / -M1 / -F3 / -LK / KFS 11 / V85 / V85 / KL / X

### Basic unit

KST311	Consoles 160x520 mm with insert plate (flat) variant 1
KST312	Consoles 160x520 mm with insert plate (with absorption) variant 2

### Base unit

U2	Swiveling 180° left, 90° right with detent incl. 2-step release
U3	Electric swiveling 180° left, 90° right
U4	Non swiveling

### Attachments

M1	Monitor mounting with monitor housing
M2	Monitor mounting with monitor mounting bracket
M3	Monitor mounting without monitor housing/ -mounting bracket
USB	USB-plug socket 2-fold, 1 x 1,5 A (mounted in the left storage compartment)
F3	Footrest KBF/716
H	Heater 2 x 2 kW with ventilator
LK	Plate for horizontal manual adjustment for control units +/- 250 mm

### Driver's Seat

KFS11*	(Included in the delivery!)
KFS9*	
KFS10*	
KFS12*	

\*Description see Driver's Seat page 251

Technical details may vary based on configuration or application! Technical data subject to change without notice!

KST311 -U2 -M1 -F3 -LK / KFS 11 / V85 / V85 / KL / X

### Mounting for equipment boxes

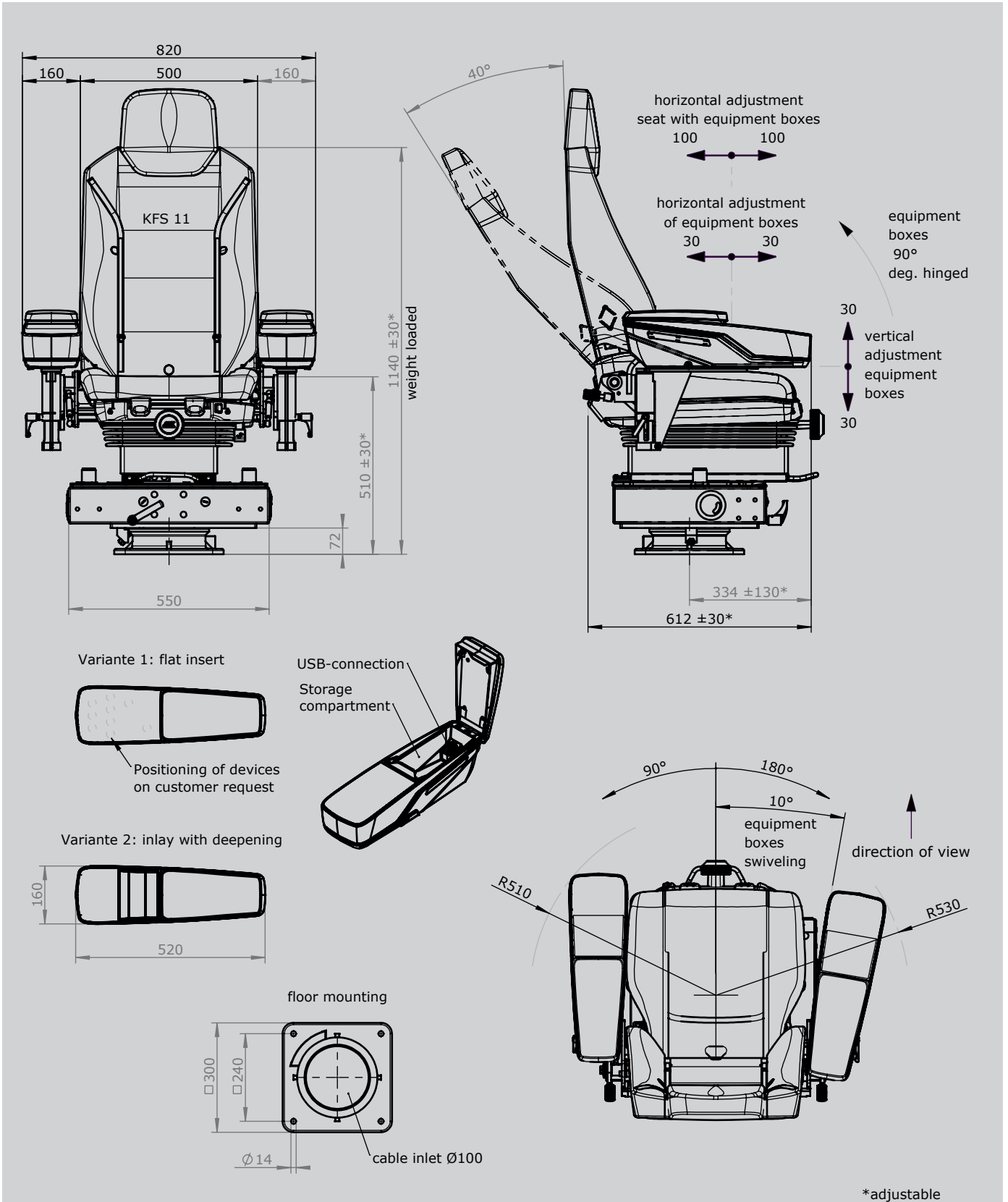
V...	Multi-Axis Controller (see section joysticks)
S...	Single-Axis Controller (see section joysticks)
D...	Double-Handle Controller (see section joysticks)
N...	Control-Switch (see page 113)
...	More command and indicating devices (see page 137 and 243)

### Wiring

KL	Without wiring, but terminal block built in each terminal
KLV	On terminal block 4 mm with single wire 1 mm <sup>2</sup> each terminal
KLV	On SPS (SPS provision) with single wire 1 mm <sup>2</sup> each terminal
KLVA	External wiring single wire highly flexible 1,5 mm <sup>2</sup> , 5 m long each terminal <i>Additional-/ reduction price per meter</i>

### Special model

X	Special / customer specified
X	Special painted



Technical details may vary based on configuration or application! Technical data subject to change without notice!