

Double-Handle Controller

D64 / DD64



The Double-Handle Controller D64/DD64 is a robust controller used commonly in crane and hoisting applications. The modular design enables the switching device to be used universally.

Technical data

| | |
|-----------------------|-----------------------------|
| Mechanical life D64 | 10 million operating cycles |
| Mechanical life DD64 | 20 million operating cycles |
| Operation temperature | -40°C to +85°C |
| Degree of protection | up to IP54 front |



| | D64 | S5 | Q | / | Q | -01 Z P | +03A R C | -A05 P134 | +A110 C01 | -X |
|---|---|----|---|---|---|---------|----------|-----------|-----------|----|
| Basic unit | D64 | | | | | | | | | |
| Control-handle extended | S5 -20 mm | | | | | | | | | |
| Grip- control handle left | Q T-grip | | | | | | | | | |
| Grip- control handle right | Q T-grip | | | | | | | | | |
| Axis 1 (direction 1-2) | 01 2 contacts (2A 250 V AC15) Z Spring return P Potentiometer | | | | | | | | | |
| Axis 2 (direction 3-4) | 03A 6 contacts (4A 250 V AC15) R Friction brake C Opto-electronical encoder | | | | | | | | | |
| Description axis 1 (direction 1-2) | A05 Arrangement MSP21 P134 Potentiometer T396 2 x 5 kOhm | | | | | | | | | |
| Description axis 2 (direction 3-4) | A110 Arrangement MSP 24-0 C01 OEC 2-1-1 | | | | | | | | | |
| Special model | X Special / customer specified | | | | | | | | | |

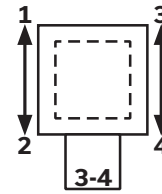
Technical details may vary based on configuration or application! Technical data subject to change without notice!

Combination possibilities with our handles



| | D64 | S5 | Q | / | Q | -01 Z P | +03 A R C | -A05 | P134 | +A110 | C01 | -X |
|--|-----|----|---|---|---|---------|-----------|------|------|-------|-----|----|
| Basic unit | | | | | | | | | | | | |
| D64 | | | | | | | | | | | | |
| Reinforced version | | | | | | | | | | | | |
| DD64 | | | | | | | | | | | | |
| Control-handle long | | | | | | | | | | | | |
| Standard 180 mm* | | | | | | | | | | | | |
| S5 -20 mm | | | | | | | | | | | | |
| S8 +20 mm | | | | | | | | | | | | |
| *Only in combination with knob! | | | | | | | | | | | | |
| Grip- control handle left | | | | | | | | | | | | |
| Knob | | | | | | | | | | | | |
| M Mechanical zero interlock | | | | | | | | | | | | |
| T Dead man | | | | | | | | | | | | |
| H Signal button | | | | | | | | | | | | |
| D Push button | | | | | | | | | | | | |
| DV Flush push button | | | | | | | | | | | | |
| Q T-grip | | | | | | | | | | | | |
| QM T-grip with mechanical zero interlock | | | | | | | | | | | | |
| QMH T-grip with mechanical zero interlock + signal contact | | | | | | | | | | | | |
| QH T-grip + signal button | | | | | | | | | | | | |
| QD T-grip + push button side | | | | | | | | | | | | |
| B10 Palm Grip B10... (see page 184) | | | | | | | | | | | | |
| Grip- control handle right | | | | | | | | | | | | |
| Knob | | | | | | | | | | | | |
| M Mechanical zero interlock | | | | | | | | | | | | |
| T Dead man | | | | | | | | | | | | |
| H Signal button | | | | | | | | | | | | |
| D Push button | | | | | | | | | | | | |
| DV Flush push button | | | | | | | | | | | | |
| Q T-grip | | | | | | | | | | | | |
| QM T-grip with mechanical zero interlock | | | | | | | | | | | | |
| QMH T-grip with mechanical zero interlock + signal contact | | | | | | | | | | | | |
| QH T-grip with signal button | | | | | | | | | | | | |
| QD T-grip push button side | | | | | | | | | | | | |
| B10... Palm Grip B10... (see page 184) | | | | | | | | | | | | |

Identification of the installation variants with switching directions:



D64 / DD64

D64 S5 Q / Q -01 Z P +03 A R C -A05 P134 +A110 C01 -X

Axis 1: direction 1-2

(Standard contacts gold-plated 2A 250 V AC15)

| | | | | |
|----|--------------------------|-------------|--|---------|
| 01 | <input type="checkbox"/> | 2 contacts | Standard contacts - see arrangement page 122 | |
| 02 | <input type="checkbox"/> | 4 contacts | e.g. | |
| 03 | <input type="checkbox"/> | 6 contacts | A980 | MS00 |
| 04 | <input type="checkbox"/> | 8 contacts | A05 | MS21 |
| 05 | <input type="checkbox"/> | 10 contacts | A0500 | MS21-00 |
| 06 | <input type="checkbox"/> | 12 contacts | A110 | MS24-0 |

= Silver contact (4A 250 V AC15) A99 contact - arrangement according customer request

- Z Spring return
- R Friction brake
- (P) Mounting options for potentiometer and encoder (Gessmann-types)

| | | | | |
|---|---------------|--|-------------------|-------------|
| P | Potentiometer | P131 | T396 2 x 0,5 kOhm | I max. 1 mA |
| | | P132 | T396 2 x 1 kOhm | I max. 1 mA |
| | | P133 | T396 2 x 2 kOhm | I max. 1 mA |
| | | P134 | T396 2 x 5 kOhm | I max. 1 mA |
| | | P135 | T396 2 x 10 kOhm | I max. 1 mA |
| | | <i>More potentiometers on request!</i> | | |

C Encoder C... Encoder see page 130

D64 S5 Q / Q -01 Z P +03 A R C -A05 P134 +A110 C01 -X

Axis 2: direction 3-4

(Standard contacts gold plated 2A 250 V AC15)

| | | | | |
|----|--------------------------|-------------|--|---------|
| 01 | <input type="checkbox"/> | 2 contacts | Standard contact - see arrangement on page 122 | |
| 02 | <input type="checkbox"/> | 4 contacts | e.g. | |
| 03 | <input type="checkbox"/> | 6 contacts | A980 | MS00 |
| 04 | <input type="checkbox"/> | 8 contacts | A05 | MS21 |
| 05 | <input type="checkbox"/> | 10 contacts | A0500 | MS21-00 |
| 06 | <input type="checkbox"/> | 12 contacts | A110 | MS24-0 |

= Silver contacts (4A 250 V AC15) A99 contact - arrangement according customer request

- Z Spring return
- R Friction brake
- (P) Mounting options for potentiometer and encoder (Gessmann-types)

| | | | | |
|---|---------------|--|-------------------|-------------|
| P | Potentiometer | P131 | T396 2 x 0,5 kOhm | I max. 1 mA |
| | | P132 | T396 2 x 1 kOhm | I max. 1 mA |
| | | P133 | T396 2 x 2 kOhm | I max. 1 mA |
| | | P134 | T396 2 x 5 kOhm | I max. 1 mA |
| | | P135 | T396 2 x 10 kOhm | I max. 1 mA |
| | | <i>More potentiometers on request!</i> | | |

C Encoder C... Encoder see page 130

Special model

X Special / customer specified

Attachments

- Indicating labels
- Indicating labels engraved

Double-Handle Controller

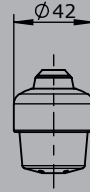
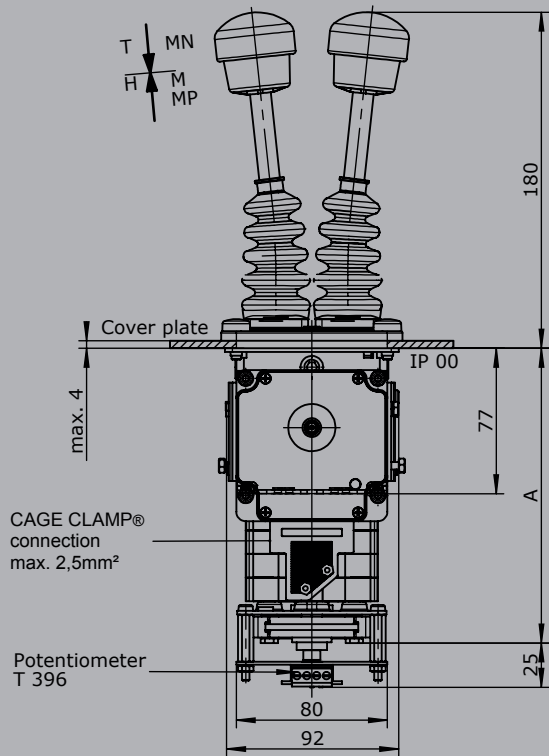
D64 / DD64



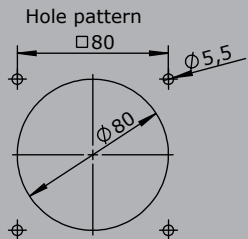
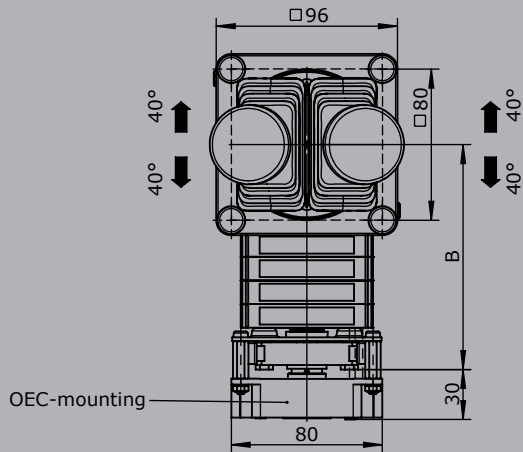
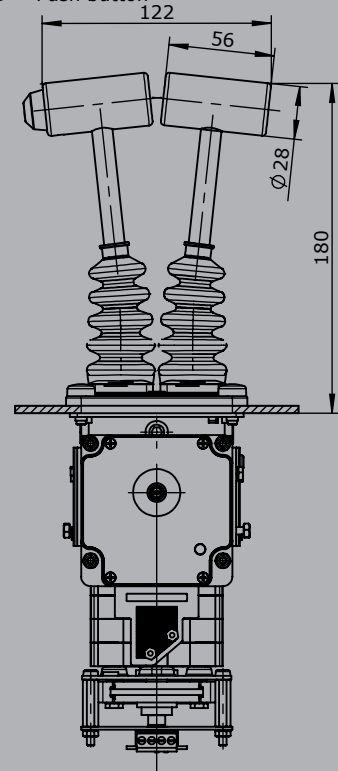
T = Dead man's button
 H = Signal button
 M = Latch for mechanical zero interlock

Knob solid
 D= Push button

T - grip
 D = Push button



To build in:
 Direction 1-2
 Direction 3-4



| Type | No. of contacts | Dim. A | Dim. B |
|------|-----------------|--------|--------|
| 01 | 2 | 119 | 82 |
| 02 | 4 | 131 | 94 |
| 03 | 6 | 144 | 107 |
| 04 | 8 | 156 | 119 |
| 05 | 10 | 169 | 132 |
| 06 | 12 | 181 | 144 |