

Double-Handle Controller D3




The Double-Handle Controller D3 is a robust switching device for nautical navigation applications. The modular design enables the switching device to be used universally. The Double-Handle Controller is resistant to oil, maritime conditions e.g. offshore /vessels, UV radiation typically from the sun.

Technical data

Mechanical life D3	12 million operating cycles
Operation temperature	-40°C to +85°C
Degree of protection	IP66 front



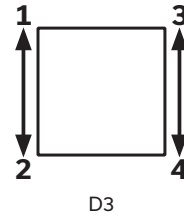
	D3	S5	Q / Q	-2 RP	+3 RP	Example		-B	-A05 P484	+A05 P484	-E1292	-S...	-X
Basic unit	D3												
Control-handle extended	S5	-20 mm											
Grip- control handle left	Q	T-grip											
Grip- control handle right	Q	T-grip											
Axis 1 (direction 1-2)	2	2 contacts (1,5A 24 V DC13)											
R		Friction brake											
P		Potentiometer											
Axis 2 (direction 3-4)	3	3 contacts (1,5A 24 V DC13)											
R		Friction brake											
P		Potentiometer											
Cover housing	B	Cover housing											
Description axis 1 (direction 1-2)	A05	Arrangement MSP21											
P484		Potentiometer T318 2 x 5 kOhm											
Description axis 2 (direction 3-4)	A050	Arrangement MSP21-0											
P484		Potentiometer T318 2 x 5 kOhm											
Interface	E1292	Voltage output 0...5...10 V											
Plug connectors	S...	Standard plug connectors (see page 120)											
Special model	X	Special / customer specified											

Technical details may vary based on configuration or application! Technical data subject to change without notice!

D3 S5 Q / Q - 2 RP + 3 RP - B - A05 P484 + A050 P484 - E1292 - X

Basic unit	
D3	
Control-handle extended*	
	Standard 148 mm*
S5	-20 mm
S8	+20 mm
<i>*Only available in combination with handle!</i>	
Grip-control-handle left	
	Knob
D	Push button
Q	T-grip
QD	T-grip with push button side
Grip-control-handle right	
	Knob
D	Push button
Q	T-grip
QD	T-grip with push button side

Identification of the installation variants with switching directions:



D3 S5 Q / Q - 2 RP + 3 RP - B - A05 P484 + A050 P484 - E1292 - X

Axis 1: direction 1-2 left	
1	1 contact
2	2 contacts
3	3 contacts
	Standard contact- arrangement see page 122
	e.g.
	A98 MS0
	A05 MS21
	A050 MS21-0
	<i>A99 contact - arrangement according customer request</i>
R	Friction brake
(P)	Mounting options for potentiometer and (Gessmann-types)
P	Potentiometer
	P484 T318 2 x 5 kOhm I max. 1 mA
	<i>More potentiometers on request!</i>
H	Hall-Potentiometer
	E14811 0,5...2,5...4,5 V / 4,5...2,5...0,5 V

D3 S5 Q/Q - 2 RP + 3 RP - B - A05 P484 + A050 P484 - E1292 - X

Axis 2: direction 3-4 left

1	1 contact	Standard contact- arrangement see page 122		
2	2 contacts	e.g.		
3	3 contacts	A98	MS0	
		A05	MS21	
		A050	MS21-0	
		A99 contact - arrangement according customer request		
R	Friction brake			
(P)	Mounting options for potentiometer (Gessmann-types)			
P	Potentiometer	P484	T318 2 x 5 kOhm	I max. 1 mA
		More potentiometers on request!		
H	Hall-Potentiometer	E14811	0,5...2,5...4,5 V / 4,5...2,5...0,5 V	

D3 S5 Q/Q - 2 RP + 3 RP - B - A05 P484 + A050 P484 - E1292 - X

Cover housing

B Cover housing

Interface (description the following pages)

Potentiometer output
 E1xx Voltage output
 E2xx Current output

Special model

X Special / customer specified

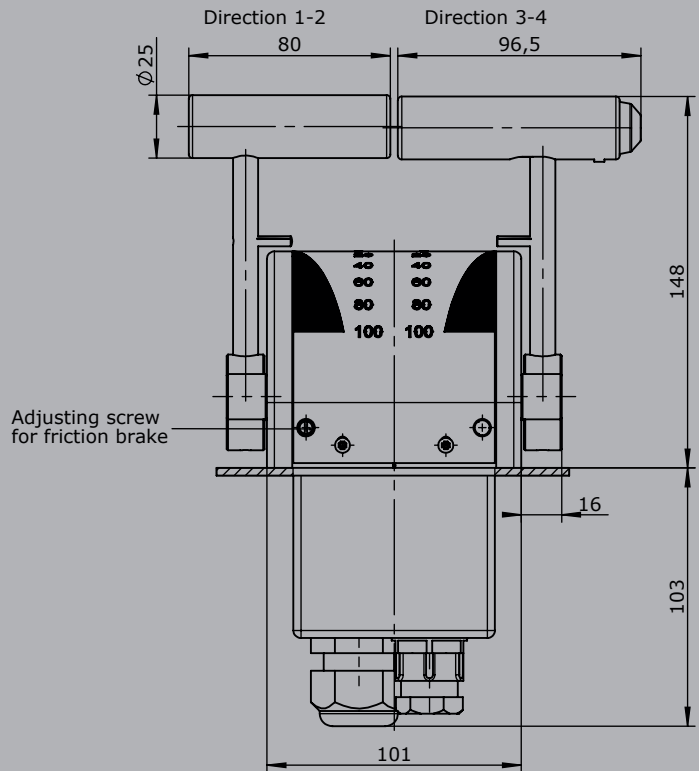
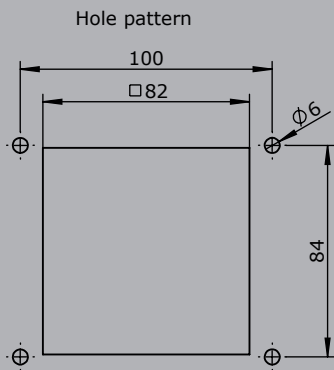
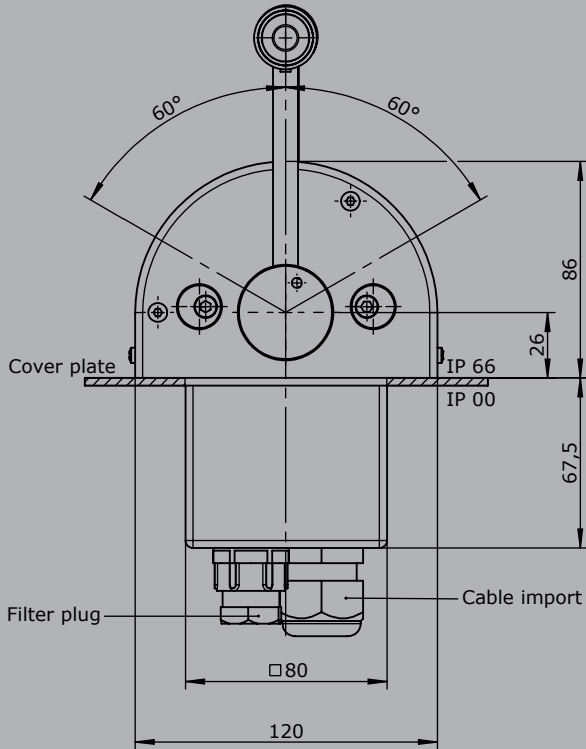
Voltage outputs

Supply voltage	11,5-32 V DC		
Wiring	Cable 300 mm long without plug connector		
	Optional with plug connector (standard plug connectors see page 120)		
0...5...10 V per axis	1 axis	E129 1	
	2 axis	2	
10...0...10 V per axis	1 axis	E141 1	
	2 axis	2	
-10...0...+10 V per axis	1 axis	E140 1	
	2 axis	2	
Voltage output with other value on request!			

Current outputs

Supply voltage	18-36 V DC		
Wiring	Cable 500 mm long without plug connector		
	Optional with plug connector (standard plug connectors see page 120)		
4...12...20 mA per axis	1 axis	E209 1	
	2 axis	2	
20...4...20 mA per axis	1 axis	E217 1	
	2 axis	2	

T- grip
D=Push button



Knob solid
D= Push button

