

Palm Grip B34



The Palm Grip B34 has different equipment options for many requirements. It is compatible with our Multi-Axis Controller or mounted on hydraulic drives. The Palm Grip has a highly flexible single wire (0,1 mm², 450 mm long). The mounting piece for the drive rod can be supplied with a tapped hole 12 mm (standard) or 10 mm.

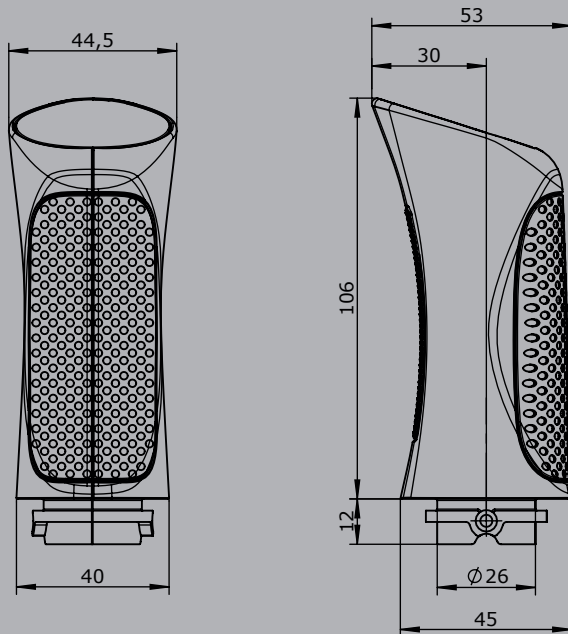


Technische Daten

Operating temperature	-40°C to +85°C
Degree of protection	Control element up to IP67
Contact complement	1,5A 24 V DC 13 (*1 0,1A 24 V DC13)

	B34L	Example -2D	W	S12	-X
Basic unit					
B34L	Palm Grip left				
B34R	Palm Grip right				
Digitale actuating element					
D	Push Button KDA21 *1 Colour: red, black, yellow, green, blue, white, orange				
HD	Hall-Push Button (see page 151)				
W	Rocker switch momentary (T) or maintained (R), colours: red, black, yellow, blue, white Mechanical functions: T-0-T, 0-T, R-0-T, R-0-R, 0-R, R-R				
K	Lever switch				
Analog actuating element					
S12	Thumbwheel, output 0,5...2,5...4,5 V inverse dual (see page 146)				
S16	Thumbwheel, output 0,5...2,5...4,5 V inverse dual (see page 149)				
Special model					
X	Special / customer specified				

B34



Edition:
 Push button installed Pos. 1-3
 Rocker switch installed Pos. 4-5
 Lever switch installed Pos. 6
 Position rocker switch or push button left hand ()

Edition:
 Push button installed Pos. 1-3,4,5
 Lever switch installed Pos. 6

