

# Palm Grip B29



The Palm Grip B29 has different equipment options for many requirements. It is compatible with our Multi-Axis Controller or mounted on hydraulic drives. The Palm Grip has a highly flexible single wire (0,1 mm<sup>2</sup>, 450 mm long). The mounting piece for the drive rod can be supplied with a tapped hole 12 mm (standard) or 10 mm.

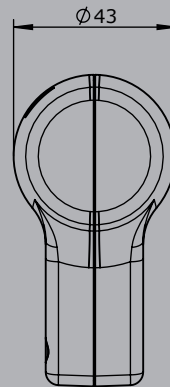
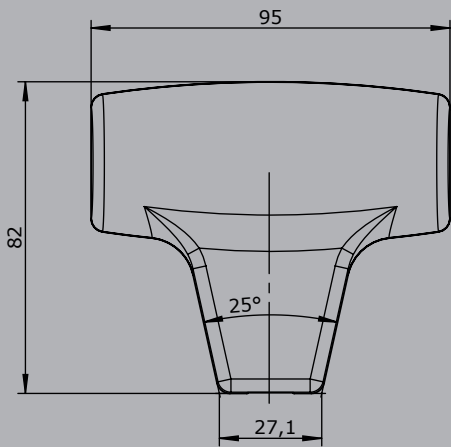
### Technical data

Operating temperature	-40°C to +85°C
Degree of protection	Control element up to IP67
Contact complement	0,1A 24 V DC13

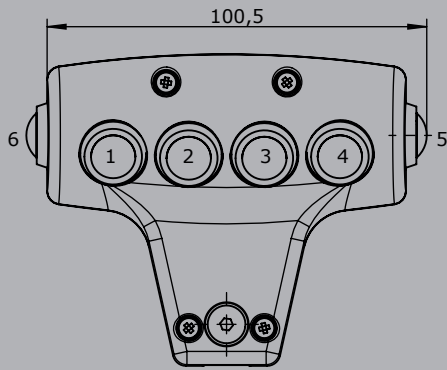


	Example		
	B29	-2D	-X
<b>Basic unit</b>			
B29 Palm Grip			
<b>Digital actuating element</b>			
D Push Button KDA21 Colour: red, black, yellow, green, blue, white, orange			
HD Hall-Push Button (see page 151)			
SE Sensor Button capacitive with external control electronics			
S Sensor Button capacitive without external control electronics (Consistent with V85 / VV85 with interface E1xx to E6xx, E907 and V25/V27 with interfaces E3xx + E4xx+E907)			
<b>Special model</b>			
X Special / customer specified			

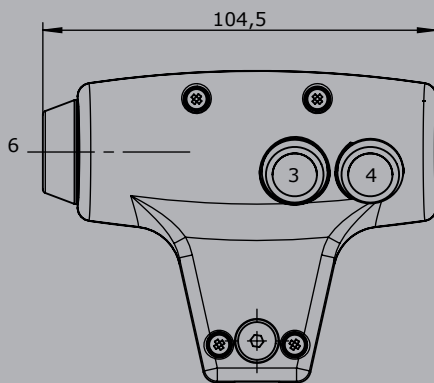
**B29**



Edition:  
Push button installed Pos. 1-6



Edition:  
Sensor installed Pos. 6,  
Push button installed Pos. 3,4



Edition:  
Sensor installed Pos. 5,  
Push button installed Pos. 1,2

