

# Palm Grip B26



The Palm Grip B26 has different equipment options for many requirements. It is compatible with our Multi-Axis Controller or mounted on hydraulic drives. The Palm Grip has a highly flexible single wire (0,1 mm<sup>2</sup>, 450 mm long). The mounting piece for the drive rod can be supplied with a tapped hole 12 mm (standard) or 10 mm.

## Technical data

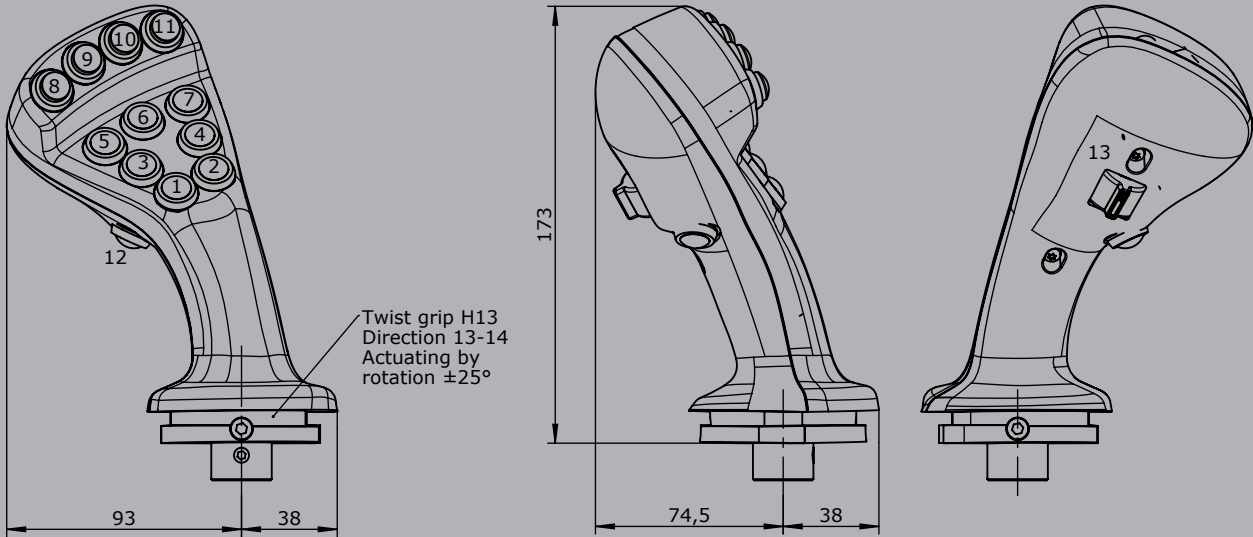
Operating temperature	-40°C to +85°C
Degree of protection	Control element up to IP67
Contact complement	1,5A 24 V DC 13 (*1 0,1A 24 V DC13)



	B26L	-2D	HD	W	S12	V21	H13	-X
<b>Basic unit</b>								
B26L	Palm Grip left							
B26R	Palm Grip right							
<b>Digital actuating element</b>								
D	Push Button KDA21 *1 Colour: red, black, yellow, green, blue, white, orange							
HD	Hall-Push Button (see page 151)							
W	Rocker switch momentary (T) or maintained (R), colours: red, black, yellow, blue, white Mechanical functions: T-O-T, O-T, R-O-T, R-O-R, O-R, R-R							
SR	Sliding switch R-O-R							
ST	Sliding Button T-O-T							
SE	Sensor Button capacitive with external control electronics							
S	Sensor Button capacitive without external control electronics (Consistent with V85 / VV85 with interface E1xx to E6xx, E907 and V25/V27 with interfaces E3xx + E4xx+E907)							
V	Vibration							
<b>Analog actuating element</b>								
S12	Thumbwheel, output 0,5...2,5...4,5 V inverse dual (see page 146)							
S16	Thumbwheel, output 0,5...2,5...4,5 V inverse dual (see page 149)							
V21	Mini-Joystick, output 0,5...2,5...4,5 V inverse dual (see page 137)							
HK	Hall-Cross Switch (see page 143)							
H13	Hall-Rotary Grip Output 0,5...2,5...4,5 V inverse dual							
<b>Special model</b>								
X	Special / customer specified							

**B26R**

Edition:  
Push button installed Pos. 1-12  
Rocker switch installed Pos. 13



**B26L**

Edition:  
Push button installed Pos. 1-12  
Rocker switch installed Pos. 13

Edition:  
Push button installed Pos. 1+2, 8-12  
Rocker switch installed Pos. 3+5, 4+7

