

Palm Grip B23



The Palm Grip B23 has different equipment options for many requirements. It is compatible with our Multi-Axis Controller or mounted on hydraulic drives. The Palm Grip has a highly flexible single wire (0,1 mm², 450 mm long). The mounting piece for the drive rod can be supplied with a tapped hole 12 mm (standard) or 10 mm.



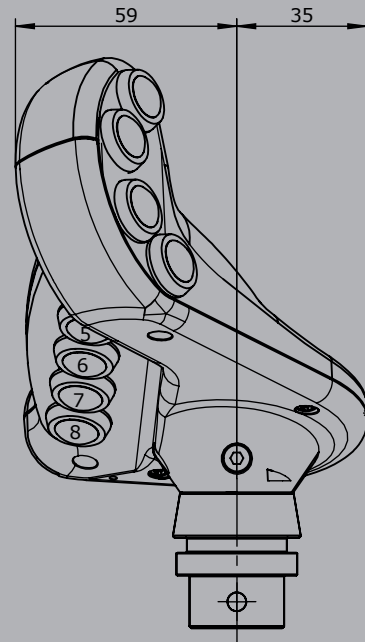
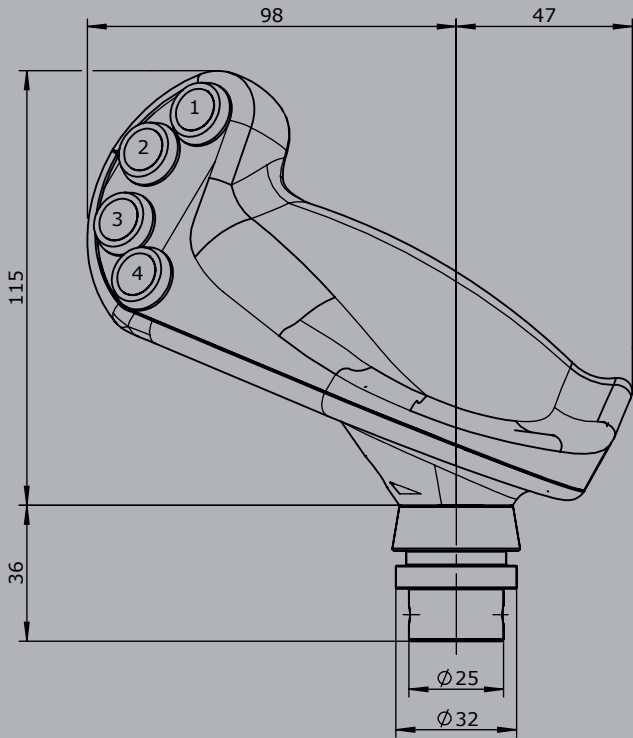
Technical data

Operating temperature	-40°C to +85°C
Degree of protection	Control element up to IP67
Contact complement	1,5A 24 V DC13 (*1 0,1A 24 V DC13)

	B23R	-2D	W	V21	-X
Basic unit					
B23L	Palm Grip left				
B23R	Palm Grip right				
Digital actuating element					
D	Push Button KDA21 *1				
	Colour: red, black, yellow, green, blue, white, orange				
HD	Hall-Push Button (see page 151)				
W	Rocker switch momentary (T) or maintained (R), colours: red, black, yellow, blue, white				
	Mechanical functions: T-0-T, 0-T, R-0-T, R-0-R, 0-R, R-R				
Analog actuating element					
S12	Thumbwheel, output 0,5...2,5...4,5 V inverse dual (see page 146)				
S16	Thumbwheel, output 0,5...2,5...4,5 V inverse dual (see page 149)				
V21	Mini-Joystick, output 0,5...2,5...4,5 V inverse dual (see page 137)				
HK	Hall-Cross Switch (see page 143)				
Special model					
X	Special / customer specified				

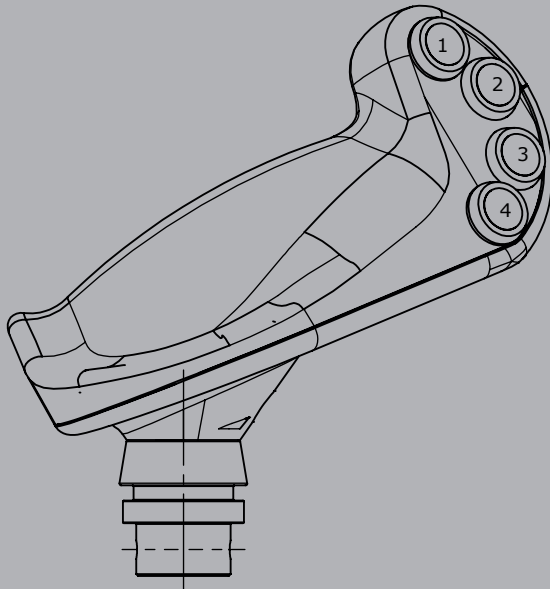
B23R

Push button installed Pos. 1 - 8



B23L

Push button installed Pos. 1 - 8



Edition :
Multi-axis controller V21
Push button installed Pos. 5,6,7,8

