

Palm Grip B22



The Palm Grip B22 has different equipment options for many requirements. It is compatible with our Multi-Axis Controller or mounted on hydraulic drives. The Palm Grip has a highly flexible single wire (0,1 mm², 450 mm long). The mounting piece for the drive rod can be supplied with a tapped hole 7 mm.

Technical data

Operating temperature	-40°C to +85°C
Degree of protection	Control element up to IP67
Contact complement	1,5A 24 V DC13 (*1 0,1A 24 V DC13)

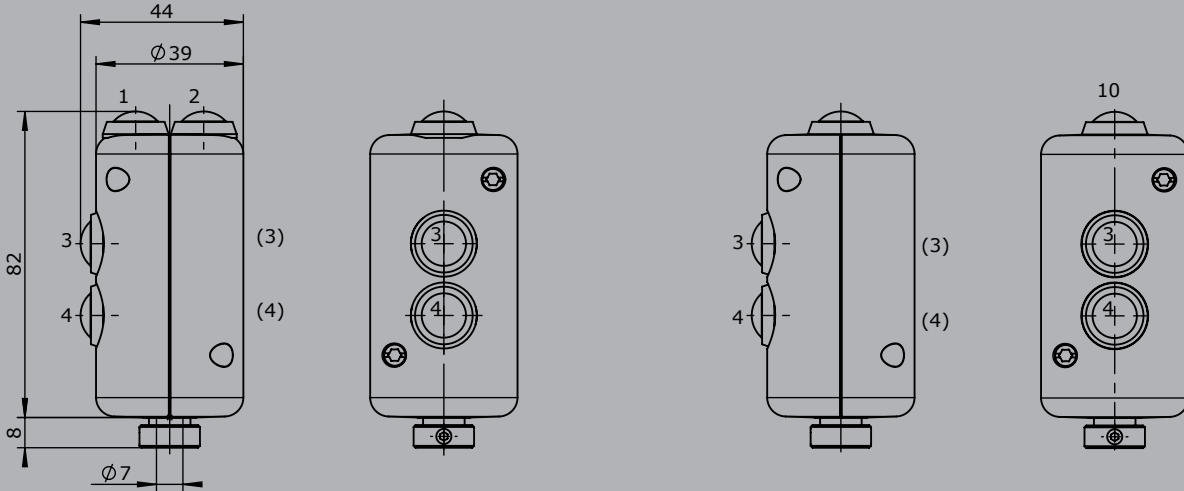


	B22AL	Example -4D	W	-X
Basic unit				
B22L	Palm Grip left			
B22R	Palm Grip right			
B22AL	Palm Grip left with support			
B22AR	Palm Grip right with support			
Digital actuating element				
D	Push Button KDA21 *1 Colour: red, black, yellow, green, blue, white, orange			
HD	Hall-Push Button (see page 151)			
W*	Rocker switch T-0-T			
W*	Rocker switch 0-T			
W*	Rocker switch R-0-T			
W*	Rocker switch R-0-R			
W*	Rocker switch 0-R			
W*	Rocker switch R-R <i>*Only possible with version with support!</i>			
SE	Sensor Button capacitive with external control electronics			
S	Sensor Button capacitive without external control electronics (Consistent with V85 / VV85 with interface E1xx to E6xx, E907 and V25/V27 with interfaces E3xx + E4xx+E907)			
Special model				
X	Special / customer specified			

B22

Edition:
Push button installed Pos. 1,2,3,4
Position push button left hand ()

Edition:
Push button installed Pos. 3,4,10
Position push button left hand ()



B22A

Edition:
Push button installed Pos. 3,4,5,6,7,8
Position push button left hand ()

Edition:
Push button installed Pos. 3,4,5,6,9
Rocker switch installed Pos. 7-8
Position push button left hand ()

