

Palm Grip B2



The Palm Grip B2 has different equipment options for many requirements. It is compatible with our Multi-Axis Controller or mounted on hydraulic drives. The Palm Grip has a highly flexible cable (8 x 0,25 mm², 450 mm long). He can be tilted in any direction by 20 degrees and can lock in this position. The mounting piece can be supplied with a tapped hole M10 (standard) or M8.

Technical data

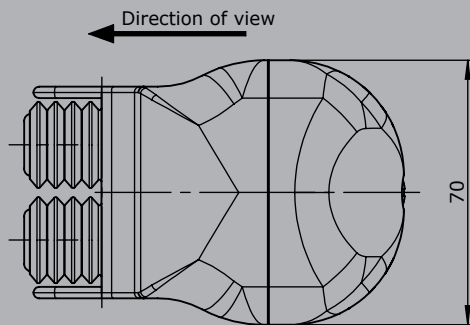
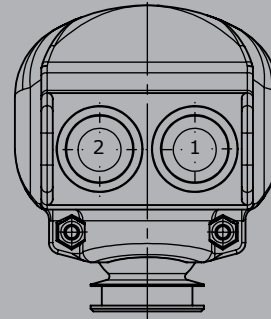
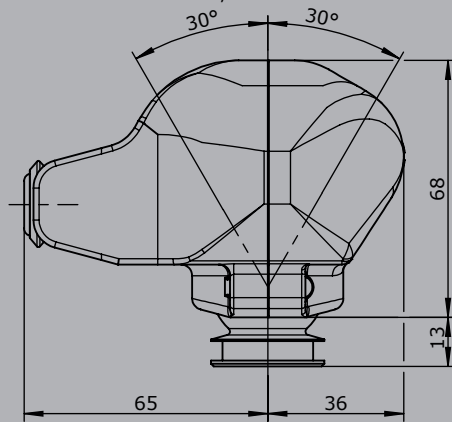
Operating temperature	-40°C to +85°C
Degree of protection	IP54
Contact complement	1,5A 24 V DC13 (*1 0,1A 24 V DC13)



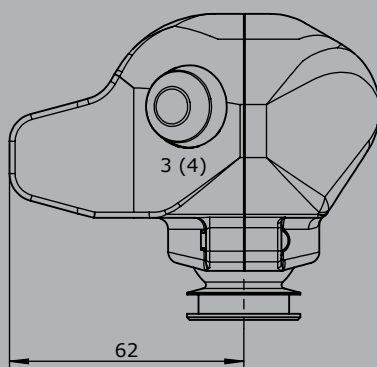
		Example			
		B2	-2D	PA15	-X
Basic unit					
B2	Palm Grip				
Digital actuating element					
D	Push Button KDA/70				
D	Push Button KDA21 *1				
	Colour: red, black, yellow, green, blue, white, orange				
HD	Hall-Push Button (see page 151)				
A15	2 push Button Pos. 1 + 2 interlocked				
Analog actuating element					
PA15	Push Button analog Pos. 1 + 2				
	2 potentiometer T301 2 x 5 kOhm with direction contacts				
Special model					
X	Special / customer specified				

B2

Edition:
Pusher installed Pos. 1,2



Edition:
Push button KDA / 70
installed Pos. 1,2,3,4



Edition:
Push button KDA 21
installed 1,2,3,4

