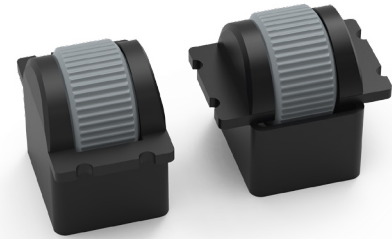


The Thumbwheel S16 is designed for electro-hydraulic applications. The S16 can be optimally used with the scroll and push function as a selection device for displays.

### Technical data

Mechanical life	5 million operating cycles
Operating temperature	-40°C to +85°C
Degree of protection	IP67

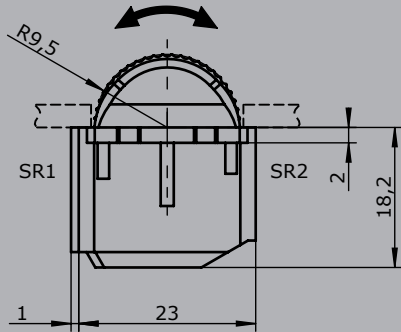


Example

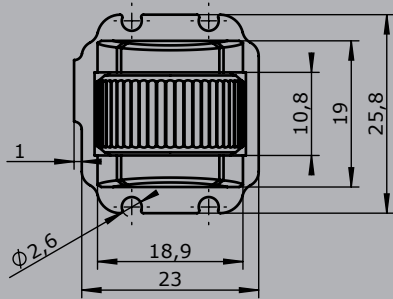
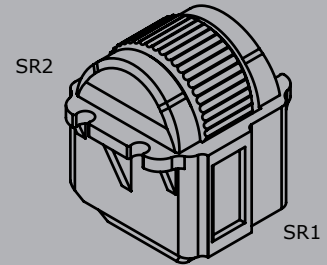
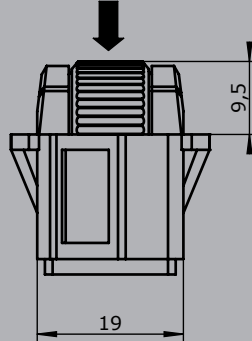
	S16	- D	- 2	- 2	-E10311	-X
<b>Basic unit</b>						
S16 Thumbwheel						
<b>Additional function</b>						
D Push function						
<b>Mounting direction</b>						
1 Vertical						
2 Horizontal						
<b>Actuator colour</b>						
1 Black						
2 Grey						
<b>Interface</b>						
0,5...2,5...4,5 V redundant by Ub= 5 V						
					1 axis	E103 1
					Output option inverse dual	1
					Output option dual	2
<i>SPI - Interface on request</i>						
<b>Special model</b>						
X Special / customer specified						

S16 Mounting Position horizontal

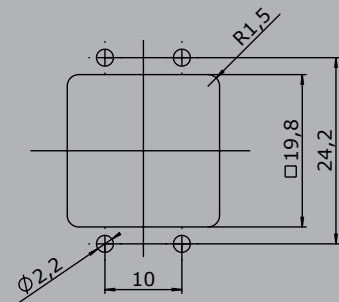
Thumbwheel 360° (18 Steps)



Pushbutton Function

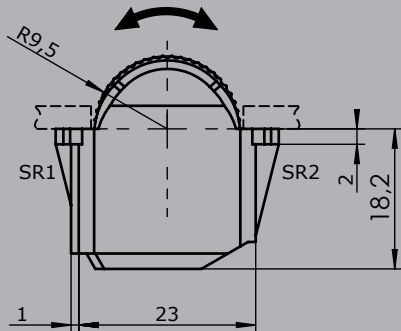


hole pattern and cut out

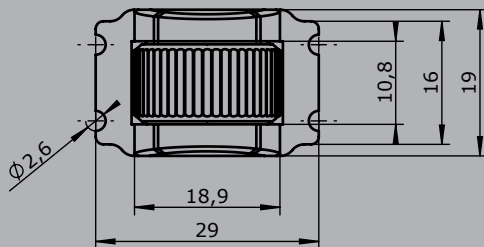
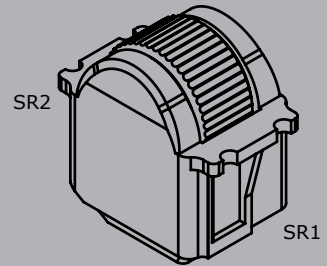
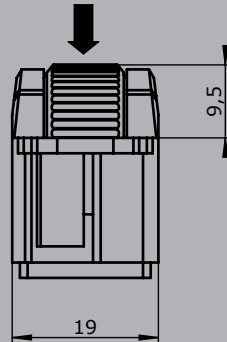


S16 Mounting Position vertical

Thumbwheel 360° (18 Steps)



Pushbutton Function



hole pattern and cut out

