

The S15 is a Fingertip Joystick designed for electro-hydraulic applications. A long service life and high reliability is achieved by the latest contactless hall-technology. With the different actuator colours the appearance can be individually designed.

Technical data

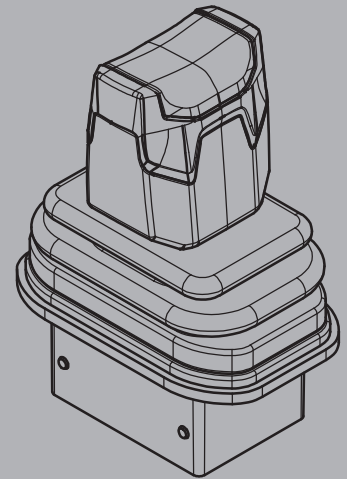
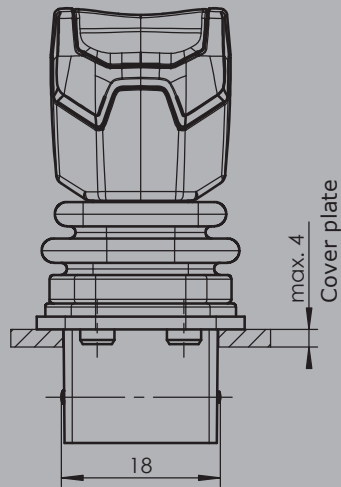
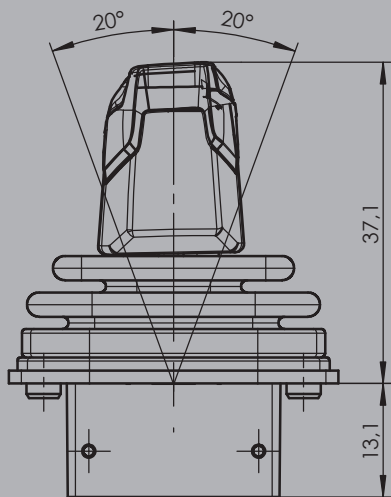
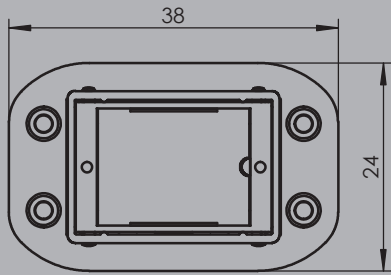
Mechanical life	5 million operating cycles
Operating temperature	-40°C to +85°C
Degree of protection	IP67
Functional safety	PLd compatible (EN ISO 13849, complies SIL2 to DIN EN IEC 61508)



	Example					
	S15	- 2	- 1	-1	-E1031	-X
Basic unit						
S15 Fingertip Joystick						
Actuator						
1 Actuator form A						
2 Actuator form B						
3 Actuator form C						
Actuator colour						
1 Black						
2 Grey*						
3 Blue*						
4 Red*						
5 Yellow*						
6 Orange*						
7 Green*						
*Not possible with actuator form B and C!						
Mechanical function						
1 T-0-T						
2 R-0-R*						
3 T-0-R*						
4 R-0-T*						
5 R-R*						
6 R-R-0-R-R*						
7 R-T-0-T-R*						
8 T-0-T-R*						
9 R-T-0-T*						
*Not possible with actuator form B and C!						
Interface						
0,5...2,5...4,5 V redundant by Ub= 5 V					E103 1	
0,5...2,5...4,5 V redundant + direction signal at Ub= 5 V					E104 1	
					Characteristic inverse dual	1
					Characteristic dual	2
SPI - Interface on request						
Special model						
X Special / customer specified						

Technical details may vary based on configuration or application! Technical data subject to change without notice!

S15 fingertip with actuator edition A



S15 fingertip with actuator edition B

