

Control Unit

KST 31 swiveling



The KST31 is an ergonomically designed swiveling control chair which provides a high degree of comfort. The consoles, mounted to the Driver's Seat, swing with the seat. The consoles can be positioned to perfectly match any person by means of length, height and inclination adjustment. The standard version includes:

Consoles:

The plastic consoles can be equipped with custom command and indicating devices.

Driver's Seat:

The comfortable Driver's Seat KFS 11 is equipped with a spring loaded hydraulic vibration absorption system, including weight adjustment, air-permeable textile cover, arm rests and head rest.

Cross-member with swivel base:

The cover of the sheet steel cross-member including the Driver's Seat is forward foldable. Thereby all wirings, terminals and bushings are easily accessible during commissioning and maintenance. Swivel base has zero-tolerance bearings and rotation can be locked in 3° steps.

Surface treatment:

Base coat and textured varnish

Standard colour RAL 7035 light grey in combination with RAL 7016 anthracite



		Example														
		KST311	-U2	-M1	-F3	-LK3	/	KFS 11	/	V85	/	V85	/	KL	/	X
Basic unit																
KST311	Consoles 160x520 mm with insert plate (flat) variant 1															
KST312	Consoles 160x520 mm with insert plate (with absorption) variant 2															
Base unit																
U2	Swiveling 90° left, 180° right with detent incl. 2-step release															
U3	Electric swiveling 90° left, 180° right															
U4	Non swiveling															
Attachments																
M1	Monitor mounting with monitor housing															
M2	Monitor mounting with monitor mounting bracket															
M3	Monitor mounting without monitor housing/ -mounting bracket															
USB	USB-plug socket 2-fold, 1 x 1,5 A (mounted in the left storage compartment)															
F3	Footrest KBF/716															
H	Heater 2 x 2 kW with ventilator															
LK3	Horizontal manual adjustment +/- 470 mm															
Driver's Seat																
KFS11*	(Included in the delivery!)															
KFS9*																
KFS10*																
KFS12*																
*Description see Driver's Seat page 272																

KST311 -U2 -M1 -F3 -LK3 / KFS 11 / V85 / V85 / KL / X

Mounting for equipment boxes

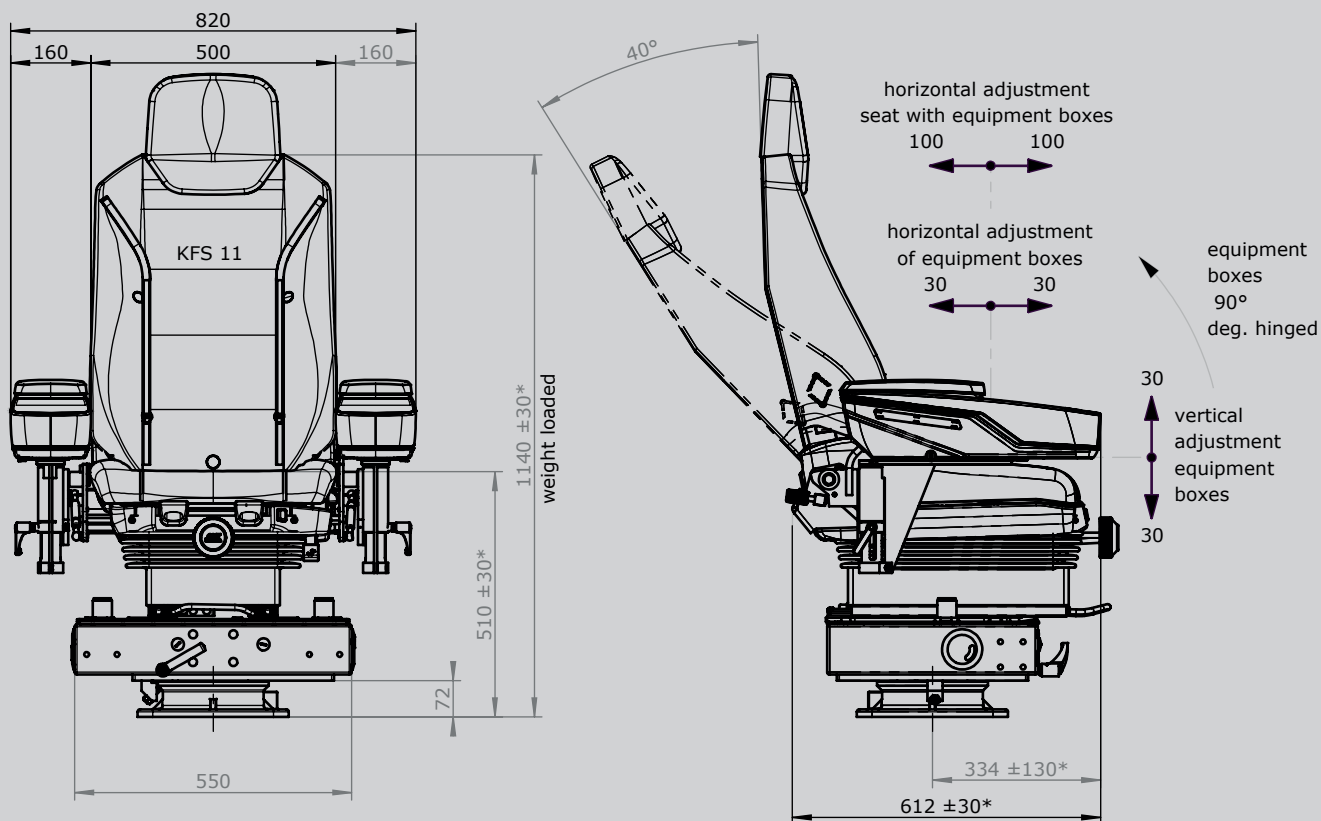
V...	Multi-Axis Controller (see section joysticks)
S...	Single-Axis Controller (see section joysticks)
D...	Double-Handle Controller (see section joysticks)
N...	Control-Switch (see page 118)
...	More command and indicating devices (see page 142 and 265)

Wiring

KL	Without wiring, but terminal block built in each terminal
KLV	On terminal block 4 mm with single wire 1 mm ² each terminal
KLV	On SPS (SPS provision) with single wire 1 mm ² each terminal
KLVA	External wiring single wire highly flexible 1,5 mm ² , 5 m long each terminal <i>Additional-/ reduction price per meter</i>

Special model

X	Special / customer specified
X	Special painted

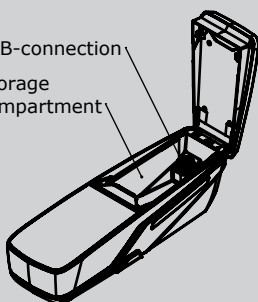


Variante 1: flat insert



Positioning of devices on customer request

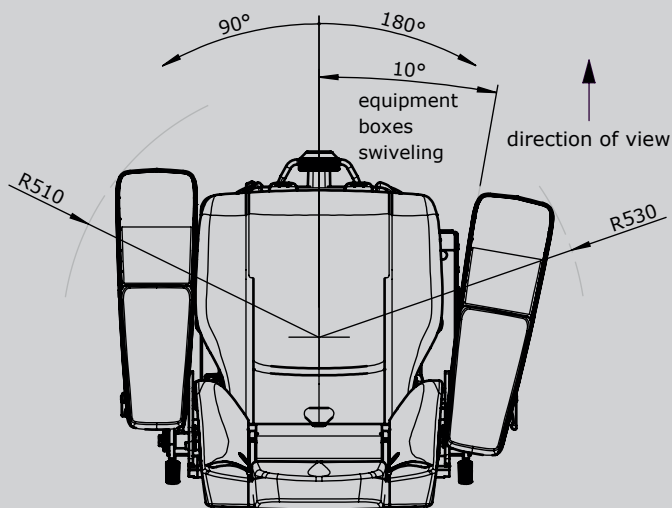
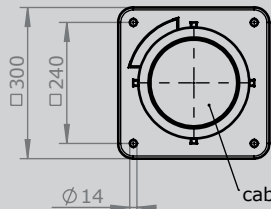
USB-connection
Storage compartment



Variante 2: inlay with deepening



floor mounting



*adjustable