

# Driver's Seat KFS14



The Driver's Seat KFS14 is a static seat with ergonomically designed and provides a high grade of comfort. The Driver's Seat is equipped with roller-bearing swivel system. All adjustment controls are positioned ergonomically within easy access. The metal parts are protected against corrosion and painted black.

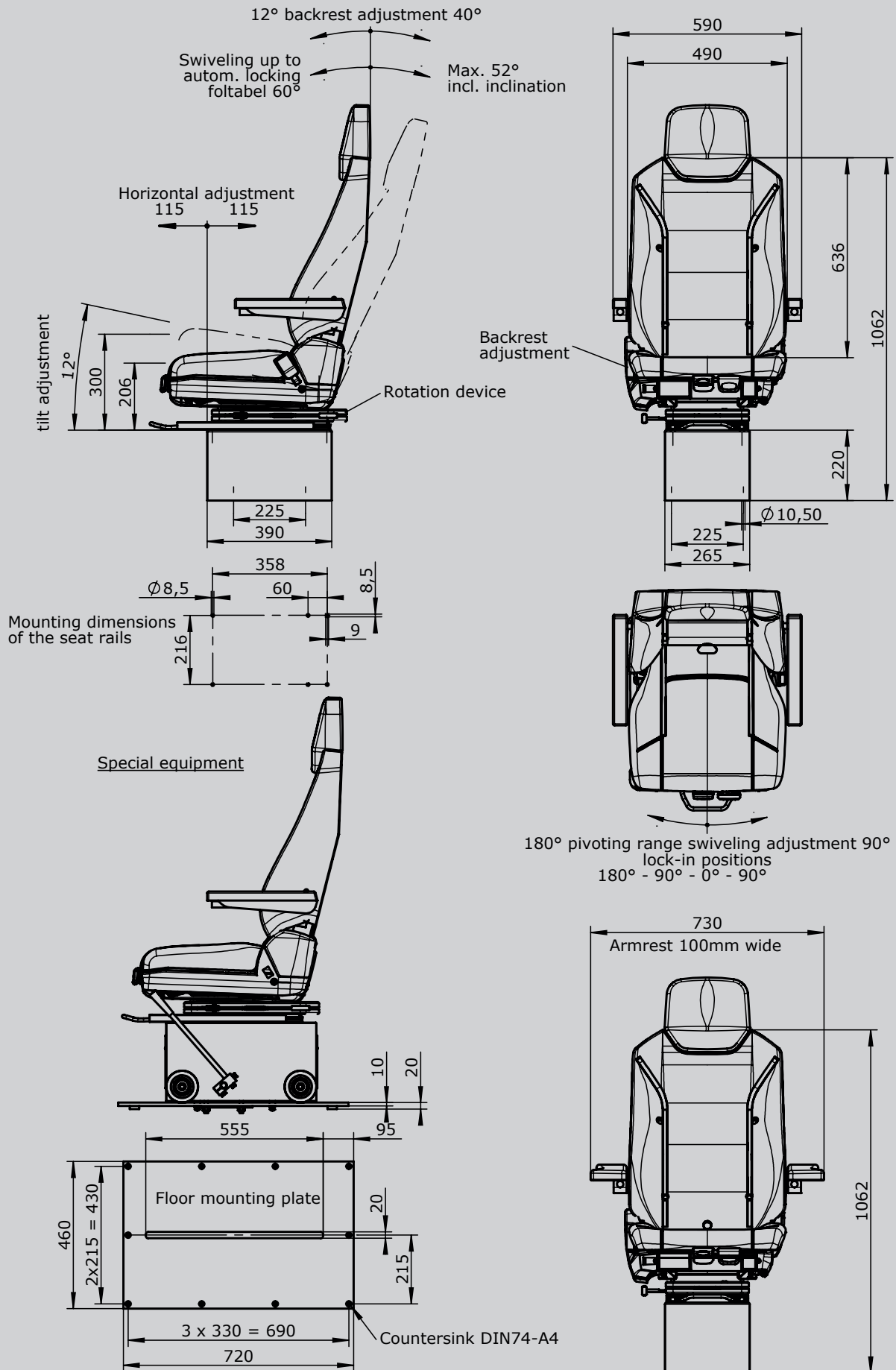
### Technical data:

Horizontal adjustment	150 mm
Inclination of the backrest	Max. 28°
Height adjustment	65 mm



Example

	KFS 14	-A1	-S1	-U
<b>Basic unit</b>				
KFS14 Driver's Seat with textile cover black				
<b>Attachments</b>				
K Headrest				
A1 Armrest fully adjustable (2 pieces) 50 mm wide				
A2 Armrest fully adjustable (2 pieces) 100 mm wide				
S1 Safety belt 2-point mounting (automatic)				
S3 Safety belt 2-point mounting (static)				
U Base frame (Apron)				



Technical details may vary based on configuration or application! Technical data subject to change without notice!