

The Thumbwheel S12 is designed for electro-hydraulic applications. Long life and high reliability is ensured by the latest contactless hall-technology. By the combination of different actuators, lighting options and colours you can customise the appearance.

Technical data

Mechanical life	5 million operating cycles
Operating temperature	-40°C to +85°C
Degree of protection	IP67
Functional safety	PLd compatible (EN ISO 13849, complies SIL2 to DIN EN IEC 61508)

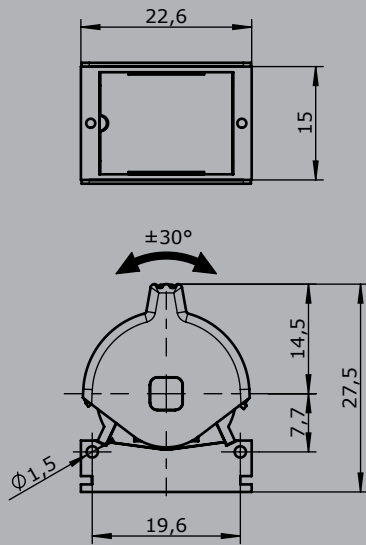


		S12	Example		- 2	- 1	- 1	-E1031	-X
Basic unit									
S12	Thumbwheel								
S12B	Thumbwheel with actuator version B								
S12C	Thumbwheel with actuator version C								
Mounting frame									
A	With mounting frame								
	Without mounting frame								
Illumination									
1	Unlighted								
2	Functional lighting 2-colour red-green (separate switchable) U_LED= 4,5 - 5,5 V*								
3	Functional lighting 2-colour white-red (separate switchable) U_LED= 4,5 - 5,5 V*								
4	Functional lighting 2-colour white-green (separate switchable) U_LED= 4,5 - 5,5 V*								
*Not possible with S12B and S12C!									
Actuator colour									
		S12	S12B	S12C					
1	Black	√	√	√					
2	Grey	√							
3	Blue	√							
4	Red	√		√					
5	Yellow	√							
6	Orange	√							
7	Green	√							

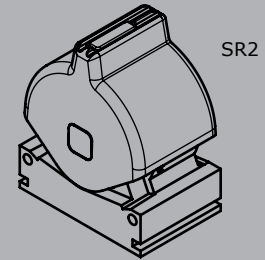
Technical details may vary based on configuration or application! Technical data subject to change without notice!

	S12	-A	-2	-1	-1	-E1031	-X
Mechanical function							
1	T-0-T						
2	R-0-R ^{*1}						
3	T-0-R ^{*1}						
4	R-0-T ^{*1}						
5	R-R ^{*1}						
6	R-R-0-R-R*						
*Not possible with S12B and S12C!							
* 1 Not possible with S12B!							
Interface							
0,5...2,5...4,5 V redundant by Ub= 5 V				1 axis		E103 1	
0,5...2,5...4,5 V redundant + 2 direction signals by Ub= 5 V				1 axis		E104 1	
				Output option inverse dual			1
				Output option dual			2
SPI - Interface on request							
Special model							
X	Special / customer specified						

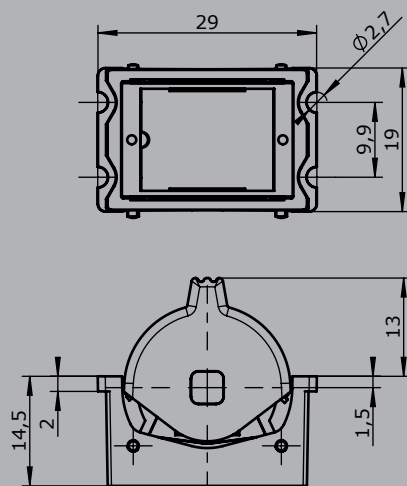
S12 without mountig frame
Version A



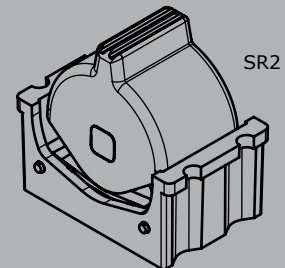
S12 with LED
SR1



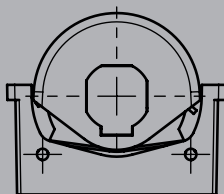
S12 with mounting frame
Version A



S12 without LED
SR1



Version B
with actuator KBAD 1731



Version C
with actuator KBAD 1858

