

# Multi-Axis Controller V20



The V20 is a rugged switching device for remote control. The integrated sensor technology has signal and potentiometer tracks in conductive plastic technology. Detent points can be integrated as an option.

## Technical data

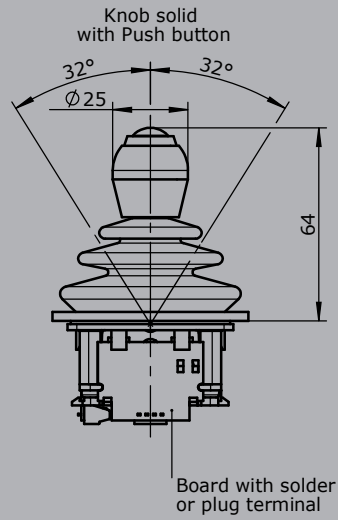
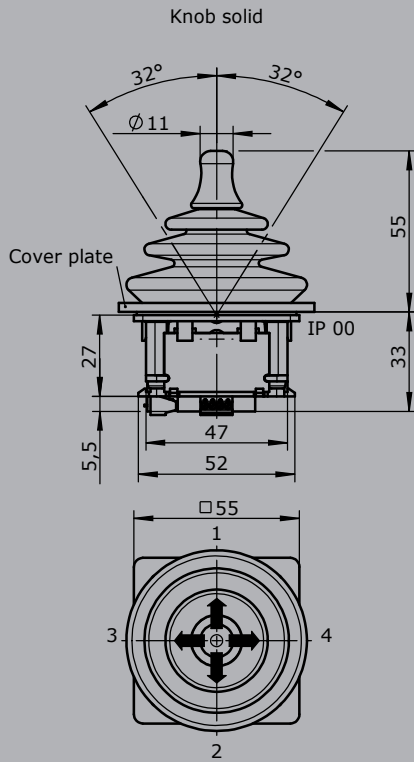
Mechanical life V20	3 million operating cycles
Operation temperature	-40°C to +85°C
Degree of protection	IP65 (optional IP67)



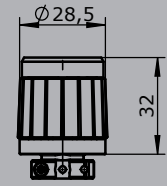
		V20	-P	D	-C71	+C71	-B	-X
<b>Basic unit</b>								
V20.1	Multi-Axis Controller 1-axis with spring return							
V20	Multi-Axis Controller 2-axis with spring return							
V20.1A	Multi-Axis Controller 1-axis with spring return, IP67 front							
V20A	Multi-Axis Controller 2-axis with spring return, IP67 front							
<b>Gate</b>								
p	Cross gate							
P X	Special gate							
<b>Grip</b>								
	Knob (standard)							
D	Push button							
GS9	Hall-twist grip with spring return							
GS9-D	Hall-twist grip with spring return and push button on top							
<b>Axis 1: direction 1-2</b>								
C70	Mechanical encoder							
	MEC 2-1							
	EA/15-10			I max. 1 mA				
	Potentiometer track			2 x 5 kOhm				
	Direction track			Arrangement MS224-0				
C71	Mechanical encoder							
	MEC 2-2							
	EA/11-10			I max. 1 mA				
	Potentiometer track			2 x 5 kOhm				
	Direction track			Arrangement MS24-0				
C72	Mechanical encoder							
	MEC 2-5							
	EA/21-10			I max. 1 mA				
	Potentiometer track			2 x 5 kOhm				
	Direction track			Arrangement MS25-0				
<b>Axis 2: direction 3-4</b>								
See description axis 1!								
<b>Cover housing</b>								
B	Cover housing KBQ 905 (IP65)							
<b>Special model</b>								
X	Special / customer specified							

Technical details may vary based on configuration or application! Technical data subject to change without notice!

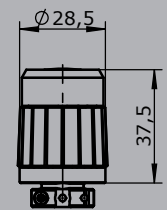
## V20 Standard degree of protection front IP 65



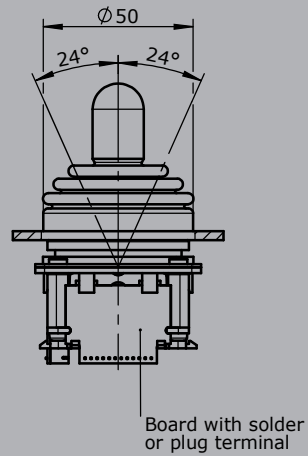
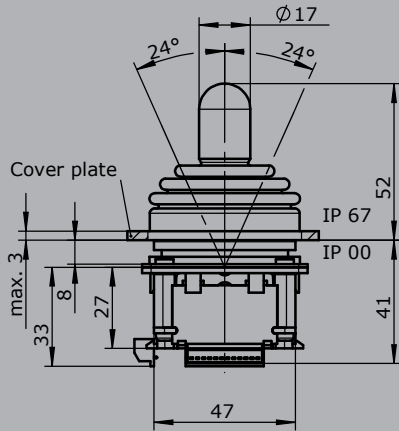
Twist grip



Twist grip with Push button



## V20 Degree of protection front IP 67



Hole pattern

