

# Single-Axis Controller S14



The S14 is a compact single-axis joystick designed for remote control and electrohydraulic applications. Due to its modular design, this control unit can be used universally. The integrated sensor system has signal and potentiometer tracks in conductive plastic technology. Optionally switch contacts are also available.

## Technical data

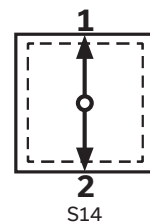
Mechanical life S14	6 million operating cycles
Operating temperature	-40°C to +85°C
Degree of protection	Up to IP65



	S14L	S8	Example T	-01ZC	-A05 C61	-X
<b>Basic unit</b>						
S14L Single-Axis Controller						
<b>Control-handle extended</b>						
Standard 60 mm*						
S8 +20 mm						
<i>*Only possible in combination with handle!</i>						
<b>Grip / Palm Grip</b>						
T Dead man						
<b>Axis 1 (direction 1-2)</b>						
O1 2 contacts (2A 250 V AC15)						
Z Spring return						
C Mechanical encoder						
<b>Description axis 1 (direction 1-2)</b>						
A05 Arrangement MSP21						
C61 Mechanical encoder MEC 1-2						
<b>Special model</b>						
X Special / customer specified						

	S14L	S8	T	-01ZC	-A05 C61	-X
<b>Basic unit</b>						
S14L 1-axis left						
S14R 1-axis right						
<b>Control-handle extended</b>						
Standard 60 mm*						
S8 +20 mm						
<i>*Only possible in combination with handle!</i>						
<b>Grip / Palm Grip</b>						
Knob (standard)						
M Mechanical zero interlock						
MH Mechanical zero interlock + signal contact						
T Dead man						
H Signal button						
GK1 Knob 42 mm						
GK1M Mechanical zero interlock						

Identification of the installation variants with switching directions:



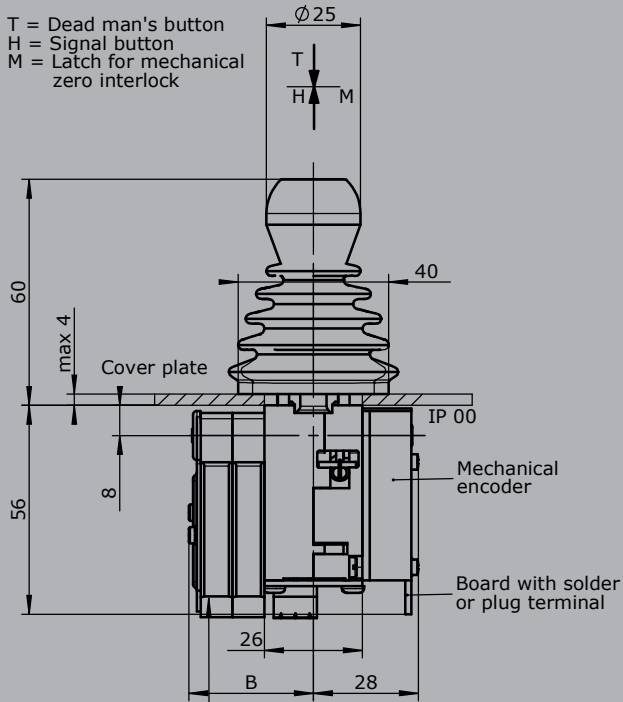
Technical details may vary based on configuration or application! Technical data subject to change without notice!

	S14L	S8	T	-01ZC	-A05	C61	-X
GK1MN	Mechanical zero interlock (push down)						
GK1T	Dead man						
GK1H	Signal button						
GK1MH	Mechanical zero interlock + signal contact						
GK1D	Push button						
GK1DV	Flush push button						
GS9	Hall-twist grip with spring return						
GS9-D	Hall-twist grip with spring return and push button on top						
B ...	Palm Grip B... (on request!)						

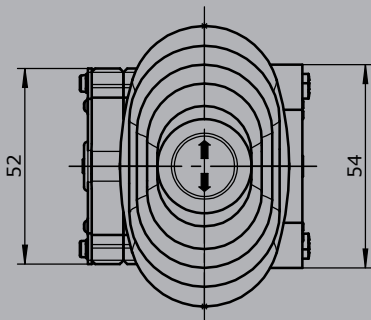
	S14L	S8	T	-01ZC	-A05	C61	-X
<b>Axis 1: direction 1-2 left / direction 5-6 right</b>							
	(Standard contacts gold-plated 2A 250V AC15)						
01	2 contacts		Standard contact - arrangement see page 127				
02	4 contacts		z.B.				
03	6 contacts		A05                    MS21				
			A0500                MS21-00				
			A110                   MS24-0				
			A99 contact - arrangement according customer request				
Z	Spring return (included in basic unit!)						
R	Friction brake						
C	Mechanical encoder		C61    MEC 1-2				
			EA/02-10                    I max. 1 mA				
			Potentiometer track      2 x 10 kOhm				
			Direction track            Arrangement MS26-0				
			C62    MEC 1-7				
			EA/10-10                    I max. 1 mA				
			Potentiometer track      2 x 5 kOhm				
			Direction track            Arrangement MS26-0-1				
			More potentiometers on request!				
H	Hall-Potentiometer		E14811		0,5...2,5...5,4 V / 4,5...2,5...0,5 V		

	S14L	S8	T	-01ZC	-A05	C61	-X
<b>Special model</b>							
X	Special / customer specified						

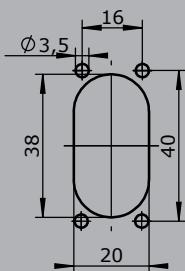
T = Dead man's button  
H = Signal button  
M = Latch for mechanical zero interlock



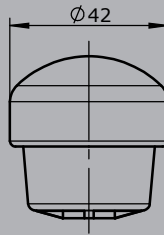
CAGE CLAMP® connection  
max. 1,5mm<sup>2</sup>



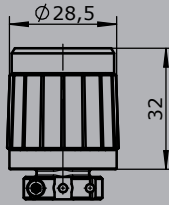
Hole pattern



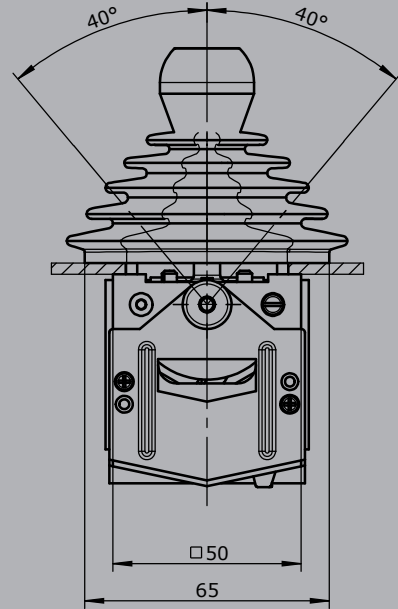
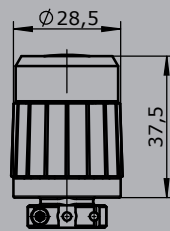
Knob solid GK  
for MN, MP



Twist grip



Twist grip  
with Push button



Type	No. of contacts	Dim. B
01	2	24
02	4	33
03	6	42