

# Multi-Axis Controller

## V8 / VV8



The V8/VV8 is a robust joystick commonly used in electro-hydraulic applications. With many output options including voltage, amperage and switch contacts and many grip options the V8 / VV8 series is hugely customisable.

### Technical data

Mechanical life V8	10 million operating cycles
Mechanical life VV8	20 million operating cycles
Operation temperature	-40°C to +85°C
Degree of protection	Up to IP54



	VV8	S5	P	T	-2RP	Example +3ZP	-B	-A05 P184	+A050 P184	E9012	-X
<b>Basic unit</b>											
VV8	Multi-Axis Controller 2-axis, reinforced version										
<b>Control-handle extended</b>											
	Standard 160 mm*										
S5	-20 mm										
S8	+20 mm										
*Only available in combination with a handle!											
<b>Gate</b>											
P	Cross gate										
PX	Special gate										
<b>Grip / Palm Grip</b>											
T	Dead man										
<b>Axis 1</b>											
2	Contacts										
R	Friction brake										
P	Potentiometer										
<b>Axis 2</b>											
3	Contacts										
Z	Spring return										
P	Potentiometer										
<b>Cover housing</b>											
B	Cover housing										
<b>Description axis 1 (direction 1-2)</b>											
A050	Arrangement MSP21-0										
P184	Potentiometer T301 2 x 5 kOhm										
<b>Description axis 2 (direction 3-4)</b>											
A05	Arrangement MSP21										
P184	Potentiometer T301 2 x 5 kOhm										
<b>Interface (description see on the following pages)</b>											
E9012	Potentiometer output for proportional valve PVG32										
<b>Special model</b>											
X	Special / customer specified										

Technical details may vary based on configuration or application! Technical data subject to change without notice!

### Combination possibilities with our grips



	VV8	S5	P	T	-2 R P	+	3 Z P	-B	-	A05 P184	+	A050 P184	E9012	-	X
<b>Basic unit</b>															
V81	1-axis														
V8	2-axis														
	reinforced version														
VV81	1-axis														
VV8	2-axis														
<b>Control-handle extended</b>															
S5	-20 mm														
S8	+20 mm														
<b>Gate</b>															
P	Cross gate														
P X	Special gate														
<b>Grip/ Palm Grip</b>															
	Knob (included in basic unit!)														
M	Mechanical zero interlock														
MH	Mechanical zero interlock + signal contact														
T	Dead man														
H	Signal button														
D	Push button														
DV	Flush push button														
B...	Palm Grip B... (see page Palm Grip 161)														
<b>Axis 1: direction 1-2</b>															
1	1 contact	Standard contact - arrangement see page 127													
2	2 contacts	e.g.													
3	3 contacts	A98	MS0	Zero position contact											
		A05	MS21	Direction contacts											
		A050	MS21-0	Direction contacts + zero position contact											
Z	Spring return														
R	Friction brake only available with a VV8!														

Technical details may vary based on configuration or application! Technical data subject to change without notice!

(P) Mounting options for potentiometer

P	Potentiometer			
		P181	T301 2 x 0,5 kOhm	I max. 1 mA
		P182	T301 2 x 1 kOhm	I max. 1 mA
		P183	T301 2 x 2 kOhm	I max. 1 mA
		P184	T301 2 x 5 kOhm	I max. 1 mA
		P185	T301 2 x 10 kOhm	I max. 1 mA
<i>More potentiometers on request!</i>				
H	Hall-Potentiometer	E14811	0,5...2,5...4,5 V / 4,5 V...2,5...0,5	

VV8 S5 P T -2 RP + 3 Z P -B - A05 P184 + A050 P184 E9012 - X

**Axis 2: direction 3-4 (not applied for V81/VV81)**

1	1 contact	Standard contact - arrangement see page 127		
2	2 contacts	e.g.		
3	3 contacts	A98	MS0	Zero position contact
		A05	MS21	Direction contacts
		A050	MS21-0	Direction contacts + zero position contact
Z	Spring return			
R	Friction brake only available with a VV8!			
(P)	Mounting options for potentiometer			
P	Potentiometer			
		P181	T301 2 x 0,5 kOhm	I max. 1 mA
		P182	T301 2 x 1 kOhm	I max. 1 mA
		P183	T301 2 x 2 kOhm	I max. 1 mA
		P184	T301 2 x 5 kOhm	I max. 1 mA
		P185	T301 2 x 10 kOhm	I max. 1 mA
<i>More potentiometers on request!</i>				
H	Hall-Potentiometer	E14811	0,5...2,5...4,5V/4,5V...2,5...0,5	

VV8 S5 P T -2 RP + 3 Z P -B - A05 P184 + A050 P184 E9012 - X

**Cover housing**

B Cover housing

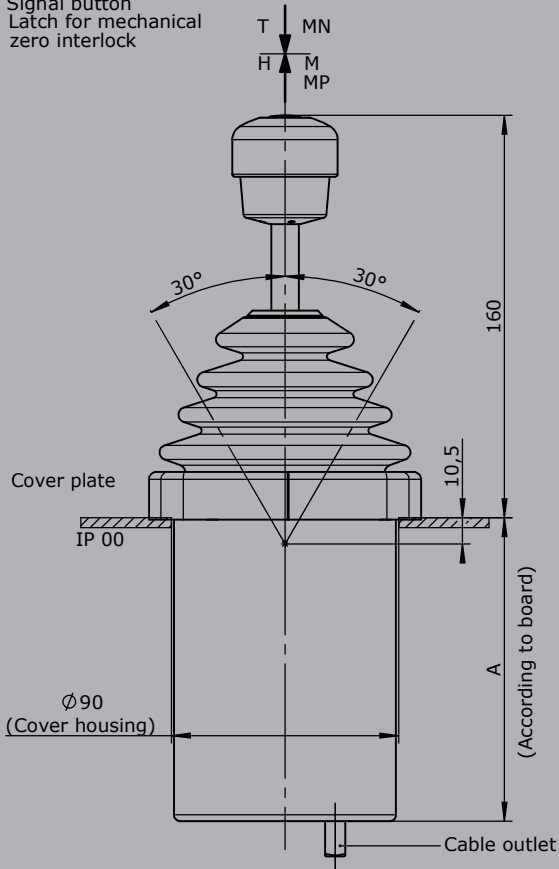
**Interface**

	Potentiometer output	
E901	Potentiometer output for proportional valve PVG32	
	0,25...0,5...0,75 Us	
1		1 axis
2		2 axis
3		3 axis
4		4 axis

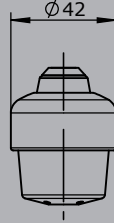
**Special model**

X Special / customer specified

T = Dead man's button  
 H = Signal button  
 M = Latch for mechanical zero interlock

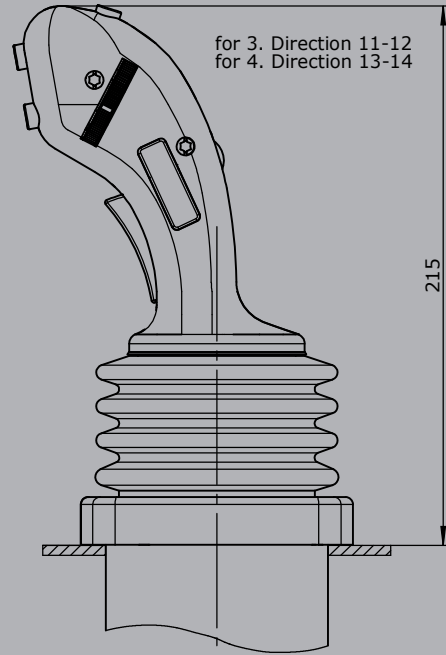


Knob solid  
 D = Push button



Palm grip B3

for 3. Direction 11-12  
 for 4. Direction 13-14



Palm grip B25

