

Multi-Axis Controller V11



The Multi-Axis Controller V11 is a robust switching device for crane and hoisting applications. The modular design enables the switching device to be used universally.

Technical data

Mechanical life V11	10 million operating cycles
Operation temperature	-40°C to +85°C
Degree of protection	Up to IP54 front



	V11L	S5	P	T	Example -01 Z P	+03A R	-A05 P324	+A110	-X
Basic unit									
V11L Multi-Axis Controller 2-axis left									
Control-handle extended									
S5 -20 mm									
Gate									
P Cross gate									
Grip / Palm Grip									
T Dead man									
Axis 1 (direction 1-2)									
01 2 contacts (2A 250 V AC15)									
Z Spring return									
P Potentiometer									
Axis 2 (direction 3-4)									
03A 6 contacts (4A 250 V AC15)									
R Friction brake									
Description axis 1 (direction 1-2)									
A05 Arrangement MS21									
P324 Potentiometer T365 2 x 5 kOhm									
Description axis 2 (direction 3-4)									
A110 Arrangement MS24-0									
Special model									
X Special / customer specified									

Technical details may vary based on configuration or application! Technical data subject to change without notice!

Combination possibilities with our grips



V11L S5 P T - 01 Z P + 03A R P - A05 P324 + A110 P325 - X

Basic unit

- V11L 2-axis left
- V11R 2-axis right
- V11.1L 1-axis left
- V11.1R 1-axis right

Control-handle extended

- Standard 120 mm*
- S5 -20 mm
- S8 +20 mm

*Only available in combination with a handle!

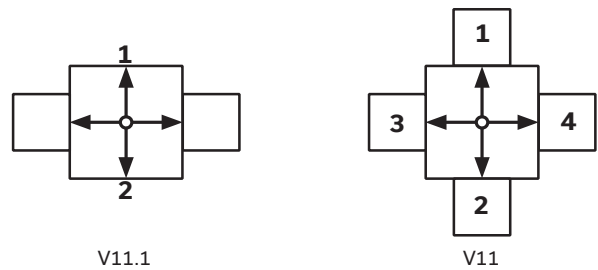
Gate

- P Cross gate
- PX Special gate

Grip / Palm Grip

- Knob (included in basic unit!)
- M Mechanical zero interlock
- MN Mechanical zero interlock (push down)
- T Dead man
- H Signal button
- D Push button
- DV Flush push button
- B... Palm Grip B... (see page Palm Grip 161)

Identification of the installation variants with switching directions:



V11L S5 P T - 01 Z P + 03A R P - A05 P324 + A110 P325 - X

Axis 1: direction 1-2 left / direction 5-6 right

(Standard contacts gold-plated 2A 250 V AC15)

01	<input type="checkbox"/>	2 contacts	Standard contact - arrangement see page 127		
02	<input type="checkbox"/>	4 contacts	e.g.		
03	<input type="checkbox"/>	6 contacts	A980	MS00	
			A05	MS21	
			A0500	MS21-00	
			A110	MS24-0	
			(Max. 4 steps per switching direction possible!)		
	<input checked="" type="checkbox"/>	Silver contacts (4A 250 V AC15)	A99 contact - arrangement according customer request		
Z	Spring return				
R	Friction brake				
(P)	Possibility of mounting potentiometer and encoder (Gessmann-types)				
P	Potentiometer		P324	T365 2 x 5 kOhm	I max. 1 mA
			P325	T365 2 x 10 kOhm	I max. 1 mA
			More potentiometers on request!		
C	Encoder		C... Encoder see page 135		

V11L S5 P T - 01 Z P + 03A R P - A05 P324 + A110 P325 - X

Axis 2: direction 3-4 left / direction 7-8 right

(not applied for V11.1)

(Standard contacts gold-plated 2A 250 V AC15)

01	<input type="checkbox"/>	2 contacts (2A 250V AC15)	Standard contact - arrangement see page 127		
02	<input type="checkbox"/>	4 contacts (2A 250V AC15)	z.B.		
03	<input type="checkbox"/>	6 contacts (2A 250V AC15)	A980	MS00	
			A05	MS21	
			A0500	MS21-00	
			A110	MS24-0	
			(Max. 4 steps per switching direction possible!)		
	<input checked="" type="checkbox"/>	Silver contacts (4A 250 V AC15)	A99 contact - arrangement according customer request		
Z	Spring return				
R	Friction brake				
(P)	Possibility of mounting potentiometer and encoder (Gessmann-types)				
P	Potentiometer		P324	T365 2 x 5 kOhm	I max. 1 mA
			P325	T365 2 x 10 kOhm	I max. 1 mA
			More potentiometers on request!		
C	Encoder		C... Encoder see page 135		

V11L S5 P T - 01 Z P + 03A R P - A05 P324 + A110 P325 - X

Special model

X Special / customer specified

Attachments

Indicating labels

Indicating labels with engraving

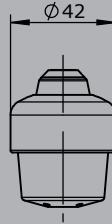
Multi-Axis Controller V11



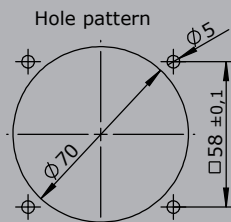
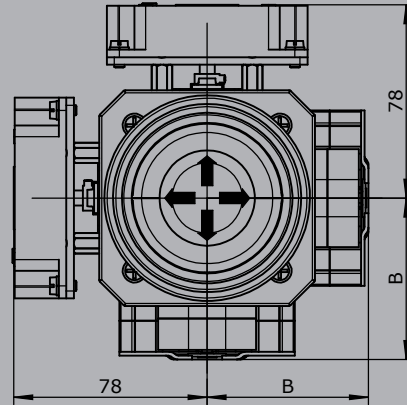
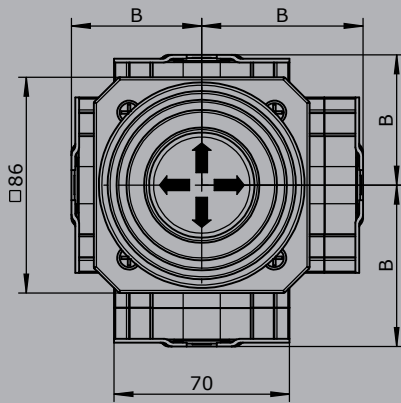
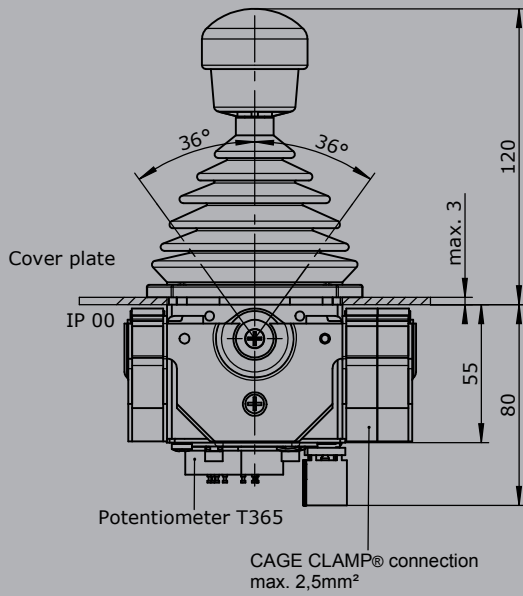
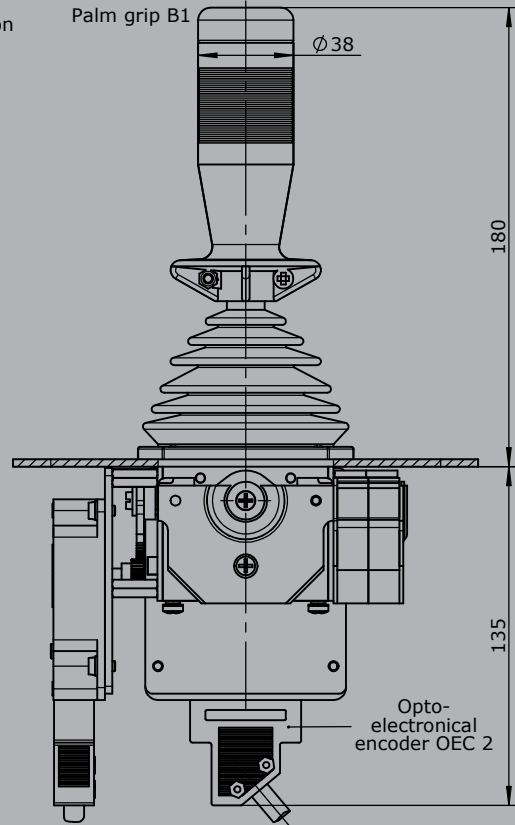
T = Dead man's button
H = Signalbutton
M = Latch for mechanical zero interlock



Knob solid
D= Push button



Palm grip B1



Type	No. of contacts	Dim. B
01	2	51
02	4	64
03	6	76