

Traction / Brake Controller

According to dimensioned drawing

M 4217

Parts number:

7852000069

1 GENERAL INFORMATION

2.1 Illustration

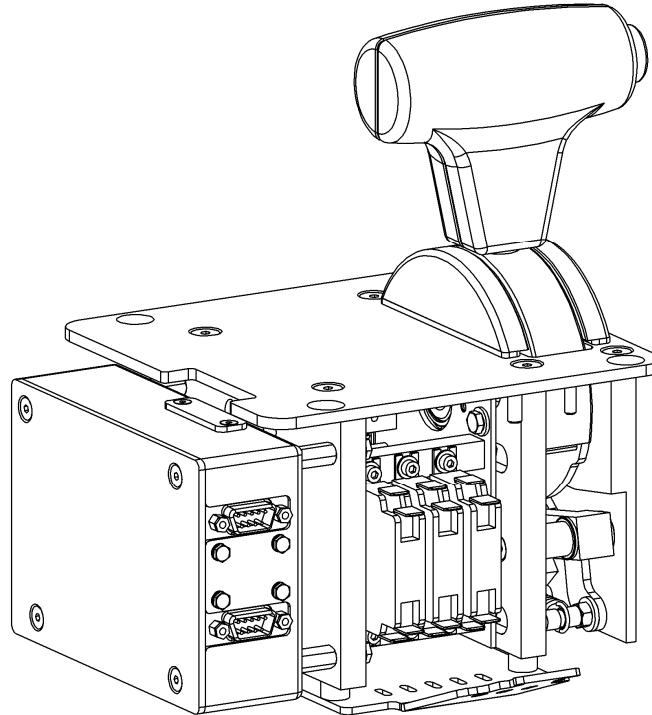


Figure 1: Traction / Brake Controller

2.2 Application

The Master Controller represented in Figure 1 is installed in a driver's cab of a tram. It is designed for left hand manipulation and provides the man-machine-interface to control the traction, service braking and emergency braking operation of the vehicle.

Furthermore the handle of the Master Controller includes a pushbutton used for automatic vigilance control (dead-man function).

2.3 Technical data

Overall unit

| | |
|--------------------------------------|-------------------------|
| dimensions | acc. to M 4217 |
| mechanical durability | 10 Mio. operating cycle |
| weight..... | 5 Kg |
| storage temperature range | -25 to +70 °C |
| temperature range | -25 to +70 °C |
| protection class front side | IP 40 |
| protection class mounting side | IP 00 |