

# Double-Handle Controller

## D64 / DD64



The Double-Handle Controller D64/DD64 is a robust controller used commonly in crane and hoisting applications. The modular design enables the switching device to be used universally.

### Technical data

Mechanical life D64	10 million operating cycles
Mechanical life DD64	20 million operating cycles
Operation temperature	-40°C to +85°C
Degree of protection	Up to IP54 front



	D64	S5	Q	/	Q	-01 Z P	+03A RC	-A05 P134	+A110 C01	-X
<b>Basic unit</b>										
D64 Double-Handle Controller										
<b>Control-handle extended</b>										
S5 -20 mm										
<b>Grip- control handle left</b>										
Q T-grip										
<b>Grip- control handle right</b>										
Q T-grip										
<b>Axis 1 (direction 1-2)</b>										
01 2 contacts (2A 250 V AC15)										
Z Spring return										
P Potentiometer										
<b>Axis 2 (direction 3-4)</b>										
03A 6 contacts (4A 250 V AC15)										
R Friction brake										
C Opto-electronical encoder										
<b>Description axis 1 (direction 1-2)</b>										
A05 Arrangement MSP21										
P134 Potentiometer T396 2 x 5 kOhm										
<b>Description axis 2 (direction 3-4)</b>										
A110 Arrangement MSP 24-0										
C01 OEC 2-1-1										
<b>Special model</b>										
X Special / customer specified										

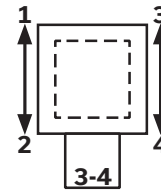
Example

### Combination possibilities with our handles



	D64	S5	Q	/	Q	-01 Z P	+03 A R C	-A05	P134	+A110	C01	-X
<b>Basic unit</b>												
D64												
Reinforced version												
DD64												
<b>Control-handle long</b>												
Standard 180 mm*												
S5 -20 mm												
S8 +20 mm												
*Only in combination with knob!												
<b>Grip- control handle left</b>												
Knob												
M Mechanical zero interlock												
T Dead man												
H Signal button												
D Push button												
DV Flush push button												
Q T-grip												
QM T-grip with mechanical zero interlock												
QMH T-grip with mechanical zero interlock + signal contact												
QH T-grip + signal button												
QD T-grip + push button side												
B10 Palm Grip B10... (see page 194)												
<b>Grip- control handle right</b>												
Knob												
M Mechanical zero interlock												
T Dead man												
H Signal button												
D Push button												
DV Flush push button												
Q T-grip												
QM T-grip with mechanical zero interlock												
QMH T-grip with mechanical zero interlock + signal contact												
QH T-grip with signal button												
QD T-grip push button side												
B10... Palm Grip B10... (see page 194)												

### Identification of the installation variants with switching directions:



D64 / DD64

D64 S5 Q / Q -01 Z P +03 A R C -A05 P134 +A110 C01 -X

### Axis 1: direction 1-2

(Standard contacts gold-plated 2A 250 V AC15)

01	<input type="checkbox"/>	2 contacts	Standard contacts - see arrangement page 127	
02	<input type="checkbox"/>	4 contacts	e.g.	
03	<input type="checkbox"/>	6 contacts	A980	MS00
04	<input type="checkbox"/>	8 contacts	A05	MS21
05	<input type="checkbox"/>	10 contacts	A0500	MS21-00
06	<input type="checkbox"/>	12 contacts	A110	MS24-0
		<input checked="" type="checkbox"/> = Silver contact (4A 250 V AC15)	A99 contact - arrangement according customer request	

Z Spring return

R Friction brake

(P) Mounting options for potentiometer and encoder (Gessmann-types)

P	Potentiometer	P131	T396 2 x 0,5 kOhm	I max. 1 mA
		P132	T396 2 x 1 kOhm	I max. 1 mA
		P133	T396 2 x 2 kOhm	I max. 1 mA
		P134	T396 2 x 5 kOhm	I max. 1 mA
		P135	T396 2 x 10 kOhm	I max. 1 mA
<i>More potentiometers on request!</i>				

C Encoder C... Encoder see page 135

D64 S5 Q / Q -01 Z P +03 A R C -A05 P134 +A110 C01 -X

### Axis 2: direction 3-4

(Standard contacts gold plated 2A 250 V AC15)

01	<input type="checkbox"/>	2 contacts	Standard contact - see arrangement on page 127	
02	<input type="checkbox"/>	4 contacts	e.g.	
03	<input type="checkbox"/>	6 contacts	A980	MS00
04	<input type="checkbox"/>	8 contacts	A05	MS21
05	<input type="checkbox"/>	10 contacts	A0500	MS21-00
06	<input type="checkbox"/>	12 contacts	A110	MS24-0
		<input checked="" type="checkbox"/> = Silver contacts (4A 250 V AC15)	A99 contact - arrangement according customer request	

Z Spring return

R Friction brake

(P) Mounting options for potentiometer and encoder (Gessmann-types)

P	Potentiometer	P131	T396 2 x 0,5 kOhm	I max. 1 mA
		P132	T396 2 x 1 kOhm	I max. 1 mA
		P133	T396 2 x 2 kOhm	I max. 1 mA
		P134	T396 2 x 5 kOhm	I max. 1 mA
		P135	T396 2 x 10 kOhm	I max. 1 mA
<i>More potentiometers on request!</i>				

C Encoder C... Encoder see page 135

### Special model

X Special / customer specified

### Attachments

Indicating labels

Indicating labels engraved

# Double-Handle Controller

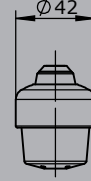
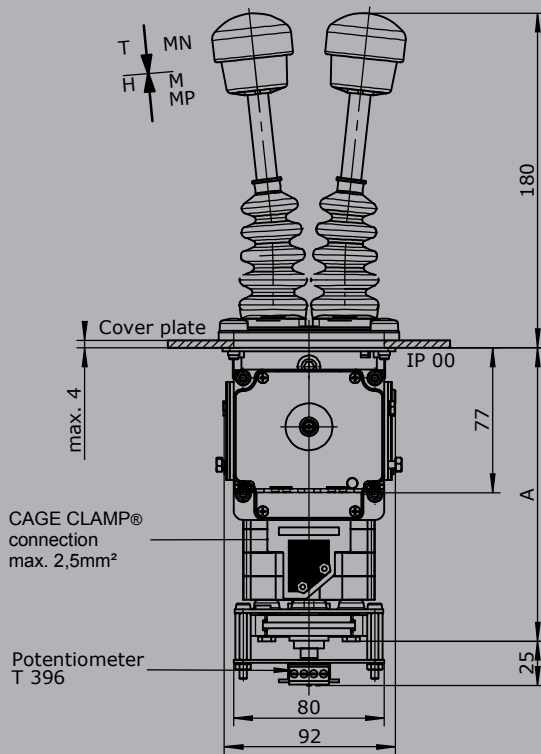
## D64 / DD64



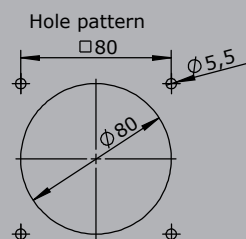
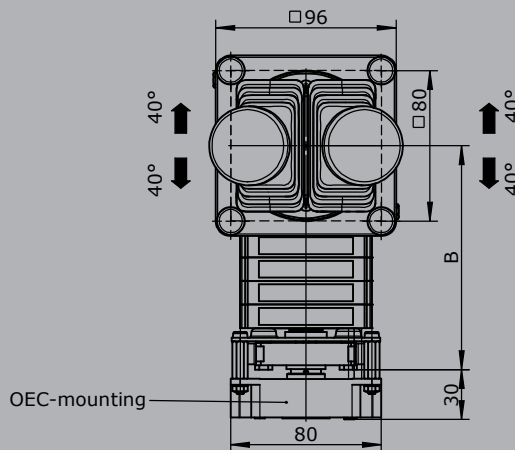
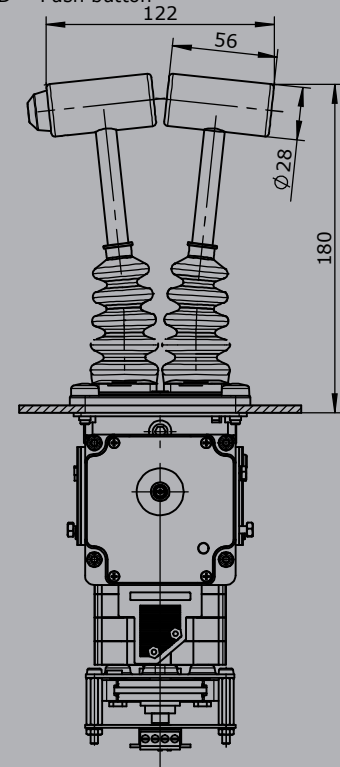
T = Dead man's button  
 H = Signal button  
 M = Latch for mechanical zero interlock

Knob solid  
 D = Push button

T - grip  
 D = Push button



To build in:  
 Direction 1-2  
 Direction 3-4



Type	No. of contacts	Dim. A	Dim. B
01	2	119	82
02	4	131	94
03	6	144	107
04	8	156	119
05	10	169	132
06	12	181	144