



The Palm Grip B31 has different equipment options for many requirements. It is compatible with our Multi-Axis Controller or mounted on hydraulic drives. The Palm Grip has a highly flexible single wire (0,1 mm², 450 mm long).

Technical data

Operating temperature	-40°C to +85°C
Degree of protection	Control element up to IP67
Contact complement	1,5A 24 V DC13 (*1 0,1A 24 V DC13)

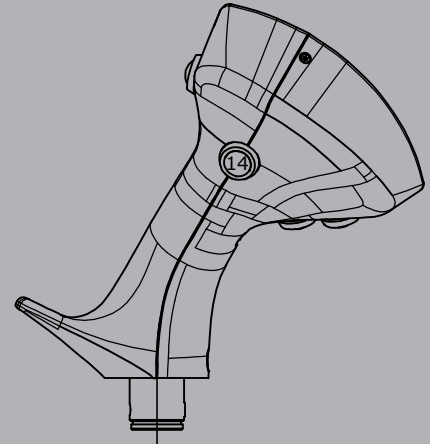
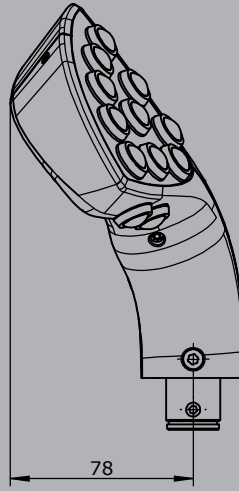
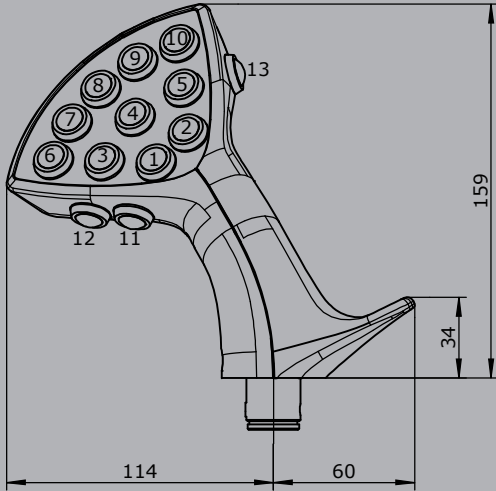


		Example						
		B31R	-2D	W	HK	S12	V21	-X
Basic unit								
B31L	Palm Grip left							
B31R	Palm Grip right							
Digital actuating element								
D	Push Button KDA21 *1 Colour: red, black, yellow, green, blue, white, orange							
HD	Hall-Push Button (see page 158)							
W	Rocker switch momentary (T) or maintained (R), colours: red, black, yellow, blue, white Mechanical functions: T-0-T, 0-T, R-0-T, R-0-R, 0-R, R-R							
Analog actuating element								
S12	Thumbwheel, output 0,5...2,5...4,5 V inverse dual (see page 153)							
S16	Thumbwheel, output 0,5...2,5...4,5 V inverse dual (see page 156)							
V21	Mini-Joystick, output 0,5...2,5...4,5 V inverse dual (see page 142)							
HK	Hall-Cross Switch (see page 150)							
CAN								
Supply voltage	9-32 V DC							
Idle current consumption	80 mA (24 V DC)							
Current carrying capacity	External digital output for LEDs 5 mA - 30 mA (dependent on the number of LED's)							
Protocol	CANopen CiA DS 301, SAE J1939 (based on) or CANopen Safety EN50325-5							
Baud rate	20 kBit/s to 1 Mbit/s (standard 250 kBit/s)							
CAN								
- 5 analog joystick axis								E313 1
- 24 digital joystick functions								
Additional with 16 LED-outputs								2
CANopen Safety								
- 5 analog joystick axis								E412 1
- 24 digital joystick functions								
Additional with 16 LED-outputs								2
Special model								
X	Special / customer specified							

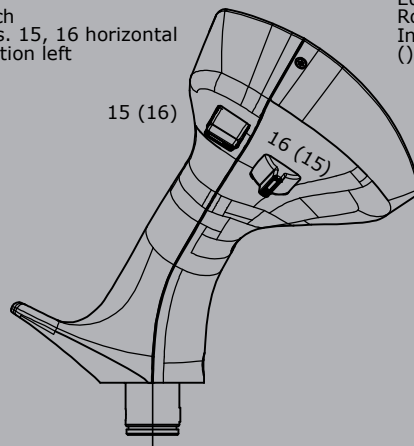
Technical details may vary based on configuration or application! Technical data subject to change without notice!

B31R

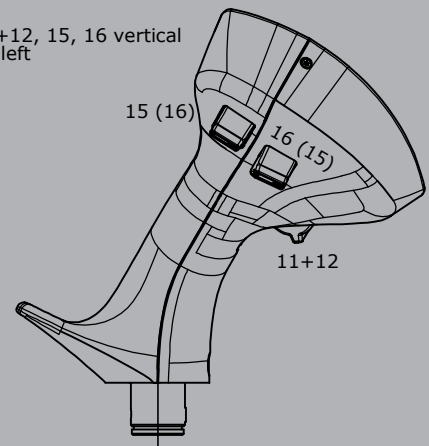
Edition:
Push button installed Pos. 1-14



Edition:
Rocker switch
Installed Pos. 15, 16 horizontal
() = Installation left

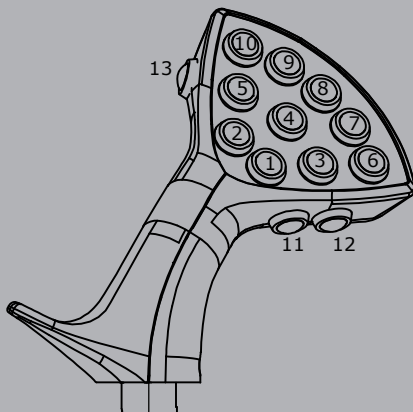


Edition:
Rocker switch
Installed Pos. 11+12, 15, 16 vertical
() = Installation left

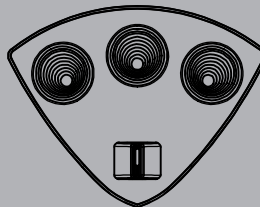


B31L

Edition:
Push button installed Pos. 1-14



Edition:
Multi-axis controller V21
Installed Pos. 6+7, Pos.8, Pos. 9+10
Rocker switch installed Pos. 1+2



Edition:
Multi-axis controller V21
Installed Pos. 6+7, Pos.8, Pos. 9+10
Push button installed Pos. 1-5

