

Control Unit

KST 6 swiveling



The KST6 is an ergonomically designed swiveling control chair which provides a high degree of comfort.

Equipment boxes:

The equipment boxes are vertically and horizontally adjustable. The arrangement of the joysticks, indicators and control devices is customised according to customer specifications. Cabling is carried out through a cross-member in the traverse. (Terminal block)

Driver's Seat:

As standard the KST6 is fitted with a KFS11 seat. The seat itself is fitted with a hydraulic vibration absorption system complete with weight adjustment to ensure that the comfort level is fitted with armrests and a headrest. There is the option to have the seat covered with air-permeable artificial leather.

Cross-member with swivel base:

The cover of the sheet steel cross-member including the Driver's Seat is forward foldable. Thereby all wirings, terminals and bushings are easily accessible during commissioning and maintenance. The swivel base is zero-clearance bearing and can be locked either by a detent (standard) in 3° steps or stepless by a friction brake.

Surface treatment:

Base coat and textured varnish
Standard colour RAL 9011 black



	KST6	-U2	-M1	-F3	-LK	/	KFS 11	/	V64	/	V64.1	/	KL	/	X
Basic unit															
KST6	Control Unit with equipment boxes														
Base unit															
U1	Swiveling 90° left, 180° right with friction brake														
U2	Swiveling 90° left, 180° right with detent incl. 2-step release (standard)														
U3	Electric swiveling 90° left, 180° right														
U4	Non swiveling														
U5	Without base frame														
Attachments															
M1	Monitor mounting with monitor housing														
M2	Monitor mounting with monitor mounting bracket														
M3	Monitor mounting without monitor housing/-mounting bracket														
F3	Footrest KBF/716														
H	Heater 2 x 2 kW with ventilator														
LK	Plate for horizontal manual adjustment for control units +/- 250 mm														
Driver's Seat															
KFS11*	(Included in the delivery!)														
KFS9*															
KFS10*															
KFS12*															
*Description see Driver's Seat page 272															

KST6 -U2 -M1 -F3 -LK / KFS 11 / V64 / V64.1 / KL / X

Mounting for equipment boxes

V...	Multi-Axis Controller (see section joysticks)
S...	Single-Axis Controller (see section joysticks)
D...	Double-Handle Controller (see section joysticks)
N...	Control-Switch (see page 118)
...	More command and indicating devices (see page 142 and 265)

Wiring

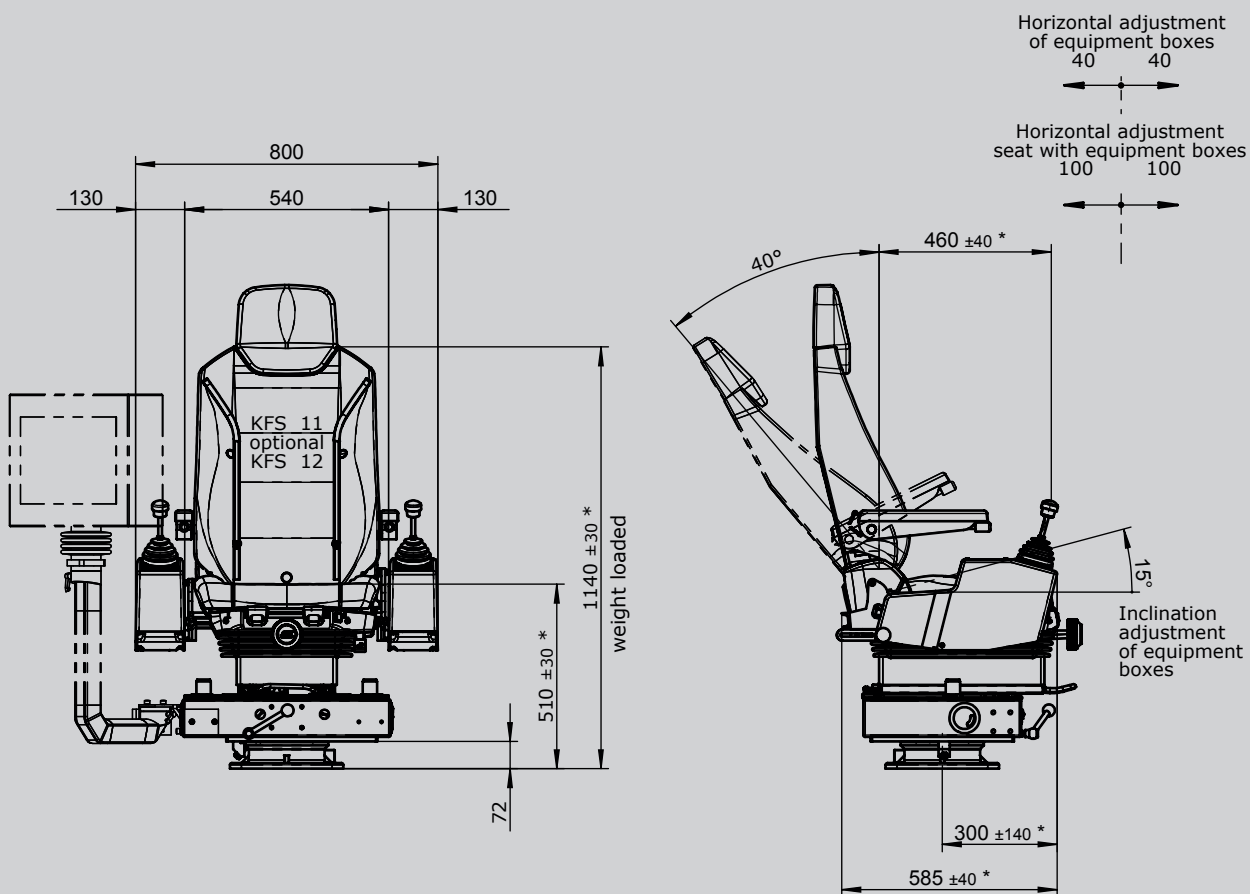
KL	Without, but terminal block built each terminal
KLV	On terminal block 4 mm ² with single wire 1 mm ² each terminal
KLW	On SPS (SPS provision) with single wire 1 mm ² each terminal
KLVA	External wiring single wire highly flexible 1,5 mm ² , 5 m long each terminal

Special model

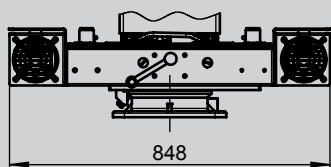
X	Special / customer specified
X ²	Special painted

Option

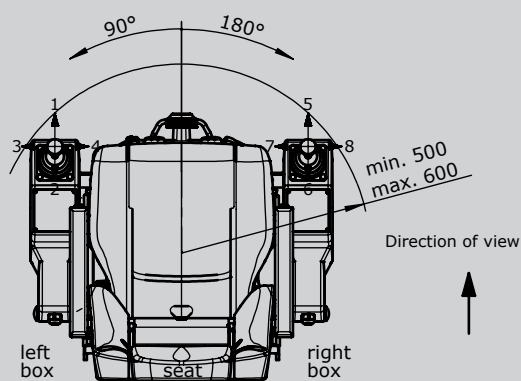
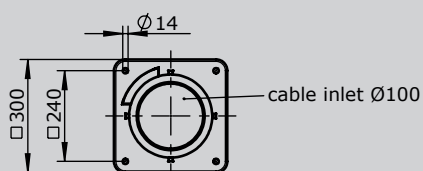
Radio remote control system



with heating



Floor mounting



* adjustable