

Control Unit

KST 5 swiveling



The KST5 is an ergonomically designed swiveling control chair which provides a high degree of comfort.

Equipment boxes:

The equipment boxes are made from sheet steel and as standard have a hinged lid with locking feature. This allows for easy inspection and maintenance. The side of the equipment boxes is as standard fitted with an inspection plate which again is lockable. The arrangement of the joystick, indicators and control devices is customised according to customer specifications. This combined with the custom sized and profiled equipment boxes that are available means that the KST5 is very flexible and customisable solution.

Driver's Seat:

As standard the KST5 is fitted with a KFS11 seat. The seat itself is fitted with a hydraulic vibration absorption system complete with weight adjustment to ensure that the comfort level is fitted with armrests and a headrest. There is the option to have the seat covered with air-permeable artificial leather.

Cross-member with swivel base:

The cover of the sheet steel cross-member including the Driver's Seat is forward foldable. Thereby all wirings, terminals and bushings are easily accessible during commissioning and maintenance. The swivel base is zero-clearance bearing and can be locked either by a detent (standard) in 3° steps or stepless by a friction brake.

Surface treatment:

Base coat and textured varnish
Standard colour RAL 7035 light grey



Example

KST51 -U1 -M1 -F3 -LK / KFS 11 / V64 / V64.1 / KL / X

Basic unit

KST51	Control Unit with equipment boxes 200 x 580 mm
KST52	Control Unit with equipment boxes 270 x 580 mm
KST54	Control Unit with equipment boxes 320 x 580 mm
	<i>Special boxes for request!</i>

Base unit

U1	Swiveling 90° left, 180° right with friction brake
U2	Swiveling 90° left, 180° right with detent incl. 2-step release (standard)
U3	Electric swiveling 90° left, 180° right
U4	Non swiveling

Attachments

M1	Monitor mounting with monitor housing
M2	Monitor mounting with monitor mounting bracket
M3	Monitor mounting without monitor housing/-mounting bracket
F3	Footrest KBF/716
H	Heater 2 x 2 kW with ventilator 240V AC
LS	Manual adjustment of equipment boxes horizontal adjustable +/- 75 mm
LK	Plate for horizontal manual adjustment for control units +/- 250 mm
	Label without engraving for Multi-axis-/ Single-Axis Controller
	Label with engraving for Multi-axis-/ Single-Axis Controller

Technical details may vary based on configuration or application! Technical data subject to change without notice!

KST51 -U1 -M1 -F3 -LK / KFS 11 / V64 / V64.1 / KL / X

Driver's Seat

KFS11* *(Included in the delivery!)*

KFS9*

KFS10*

KFS12*

*Description see *Driver's Seat* page 272

Mounting for equipment boxes

V... Multi-Axis Controller *(see section joysticks)*

S... Single-Axis Controller *(see section joysticks)*

D... Double-Handle Controller *(see section joysticks)*

N... Control-Switch *(see page 118)*

... *More command and indicating devices (see page 142 and 265)*

Wiring

KL Without, but terminal block built each terminal

KLV On terminal block 4 mm² with single wire 1 mm² each terminal

KLV On SPS (SPS provision) with single wire 1 mm² each terminal

KLVA External wiring single wire highly flexible 1,5 mm², 5 m long each terminal

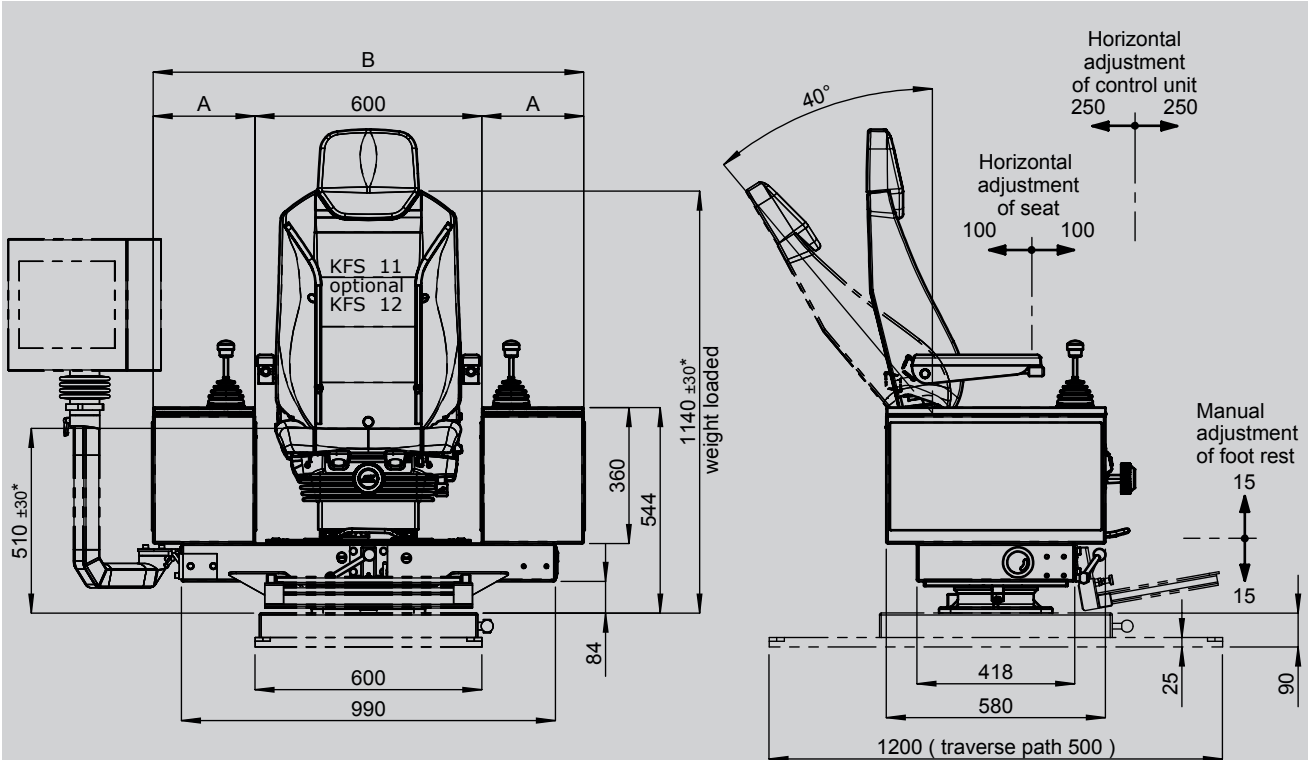
Special model

X Special / customer specified

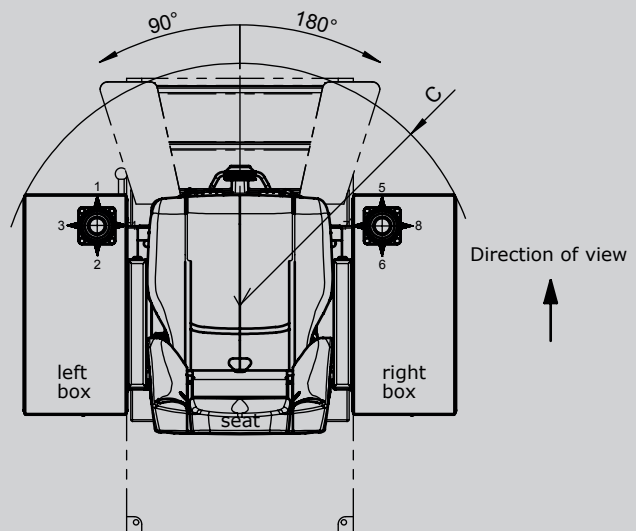
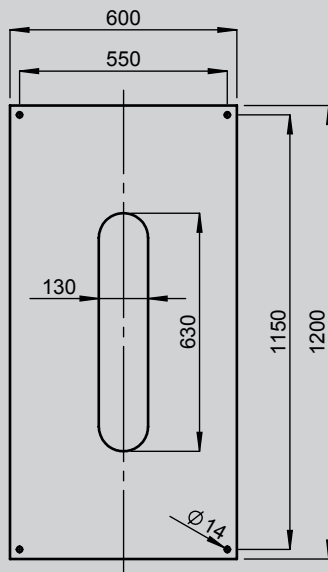
X1 Special painted

Option

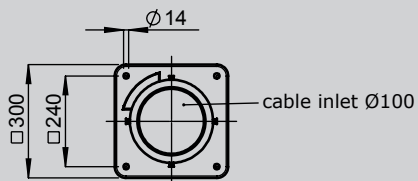
Radio remote control system



Floor mounting



Floor mounting



* adjustable

Type	Dim. A	Dim. B	Dim. C
KST 51	200	1000	580
KST 52	270	1140	640
KST 54	320	1240	690