

# Control Unit

## KST 19 swiveling



The KST19 is an ergonomically designed swiveling control chair which provides a high degree of comfort.

### Equipment boxes:

The equipment boxes are vertically and horizontally adjustable. The arrangement of the joysticks, indicators and control devices is customised according to customer specifications. Cabling is carried out through a cross-member in the traverse. (Terminal block)

### Driver's Seat:

As standard the KST19 is fitted with a KFS10 seat. The seat itself is fitted with a pneumatic vibration absorption system complete with weight adjustment to ensure that the comfort level is fitted with armrests and a headrest. There is the option to have the seat covered with air-permeable artificial leather.

### Cross-member with swivel base:

The swivel base is zero-clearance bearing and can be locked either by a detent (standard) in 3° steps or stepless by a friction brake.

### Surface treatment:

Base coat and textured varnish

Standard colour RAL 7035 light grey, equipment boxes RAL 7016 anthracite



	KST19	-U1	-M1	-F3	-LK	/	KFS 10	/	V85	/	V85	/	KL	/	X
<b>Basic unit</b>															
KST19	Control Unit with equipment boxes														
<b>Base unit</b>															
U1	Swiveling 90° left, 180° right with friction brake														
U2	Swiveling 90° left, 180° right with detent incl. 2-step release (standard)														
U4	Non swiveling														
<b>Attachments</b>															
M1	Monitor mounting with monitor housing														
M2	Monitor mounting with monitor mounting bracket														
M3	Monitor mounting without monitor housing/ -mounting bracket														
M4	Monitor mounting (Monitor < 5 kg) with monitor housing														
M5	Monitor mounting (Monitor < 5 kg) with mounting adapter														
F3	Footrest KBF/864														
H	Heater 2 x 2 kW with ventilator														
LK	Plate for horizontal manual adjustment for control units +/- 250 mm														
<b>Driver's Seat</b>															
KFS10*	(Included in the delivery!)														
*Description see Driver's Seat page 272															

KST19 -U1 -M1 -F3 -LK / KFS10 / V85 / V85 / KL / X

### Mounting for equipment boxes

V...	Multi-Axis Controller (see section joysticks)
S...	Single-Axis Controller (see section joysticks)
D...	Double-Handle Controller (see section joysticks)
N...	Control-Switch (see page 118)
...	More command and indicating devices (see page 142 and 265)

### Wiring

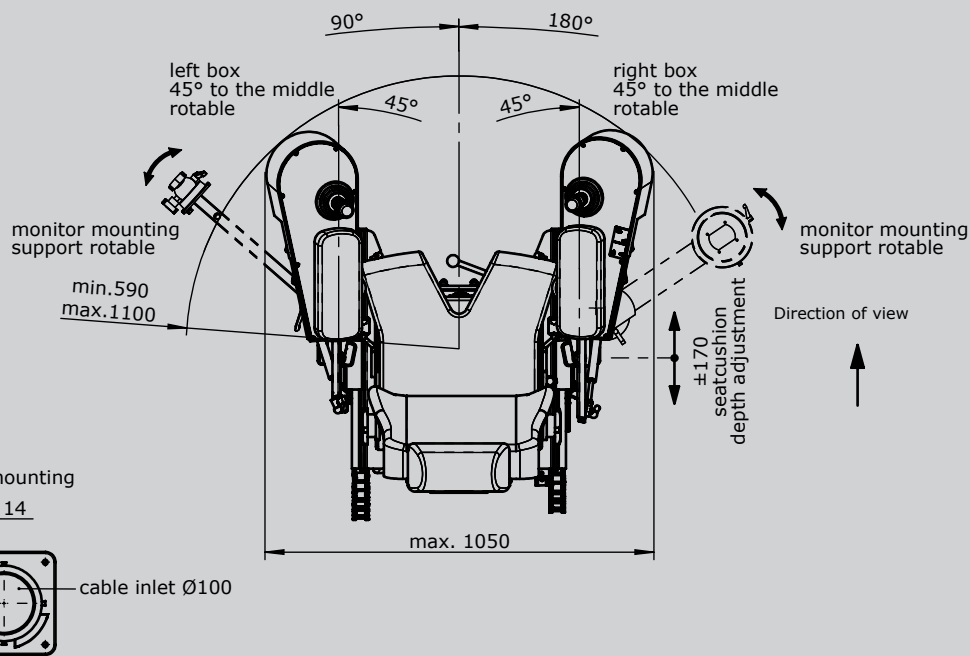
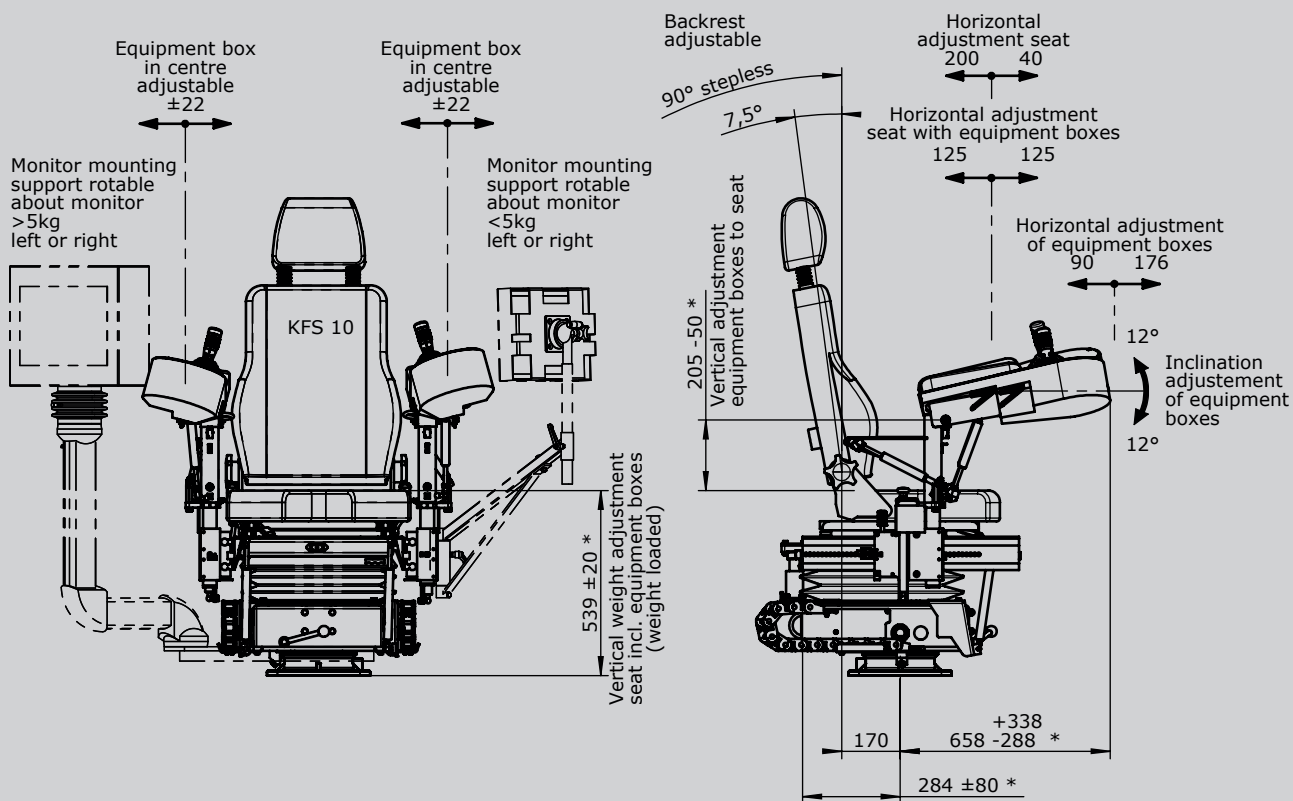
KL	Without wiring, but terminal block built in each terminal
KLV	On terminal block 4 mm <sup>2</sup> with single wire 1 mm <sup>2</sup> each terminal
KL	On SPS (SPS provision) with single wire 1 mm <sup>2</sup> each terminal
KLVA	External wiring single wire highly flexible 1,5 mm <sup>2</sup> , 5 m long each terminal

### Special model

X	Special / customer specified
X <sup>2</sup>	Special painted

### Option

Radio remote control system
-----------------------------



\* adjustable