

Control Unit KST 10 swiveling



The KST10 is an ergonomically designed swiveling control chair which provides a high degree of comfort.

Equipment boxes:

The equipment boxes are vertically and horizontally adjustable. The arrangement of the joysticks, indicators and control devices is customised according to customer specifications. Cabling is carried out through a cross-member in the traverse. (Terminal block)
Special boxes available upon request.

Driver's Seat:

As standard the KST10 is fitted with a KFS11 seat. The seat itself is fitted with a hydraulic vibration absorption system complete with weight adjustment to ensure that the comfort level is fitted with armrests and a headrest. There is the option to have the seat covered with air-permeable artificial leather.

Cross-member with swivel base:

The cover of the sheet steel cross-member including the Driver's Seat is forward foldable. Thereby all wirings, terminals and bushings are easily accessible during commissioning and maintenance. The swivel base is zero-clearance bearing and can be locked either by a detent (standard) in 3° steps or stepless by a friction brake.

Surface treatment:

Base coat and textured varnish
Standard colour RAL 9011 black



	KST10	-U1	-M1	-F3	-LK	/	KFS 11	/	V85	/	V85.1	/	KL	/	X
Basic unit															
KST10	Control Unit with equipment boxes														
Base unit															
U1	Swiveling 90° left, 180° right with friction brake														
U2	Swiveling 90° left, 180° right with detent incl. 2-step release (standard)														
U3	Electric swiveling 90° left, 180° right														
U4	Non swiveling														
U5	Without base frame														
Attachments															
M1	Monitor mounting with monitor housing														
M2	Monitor mounting with monitor mounting bracket														
M3	Monitor mounting without monitor housing/-mounting bracket														
F3	Footrest KBF/716														
H	Heater 2 x 2 kW with ventilator														
LK	Plate for horizontal manual adjustment of control units +/- 250 mm														
Driver's Seat															
KFS11*	(Included in the delivery!)														
KFS9*															
KFS10*															
KFS12*															
*Description see Driver's Seat page 272															

Technical details may vary based on configuration or application! Technical data subject to change without notice!

KST10 -U1 -M1 -F3 -LK / KFS 11 / V64 / V64.1 / KL / X

Mounting for equipment boxes

- V... Multi-Axis Controller (see section joysticks)
- S... Single-Axis Controller (see section joysticks)
- D... Double-Handle Controller (see section joysticks)
- N... Control-Switch (see page 118)
- ... More command and indicating devices (see page 142 and 265)

Wiring

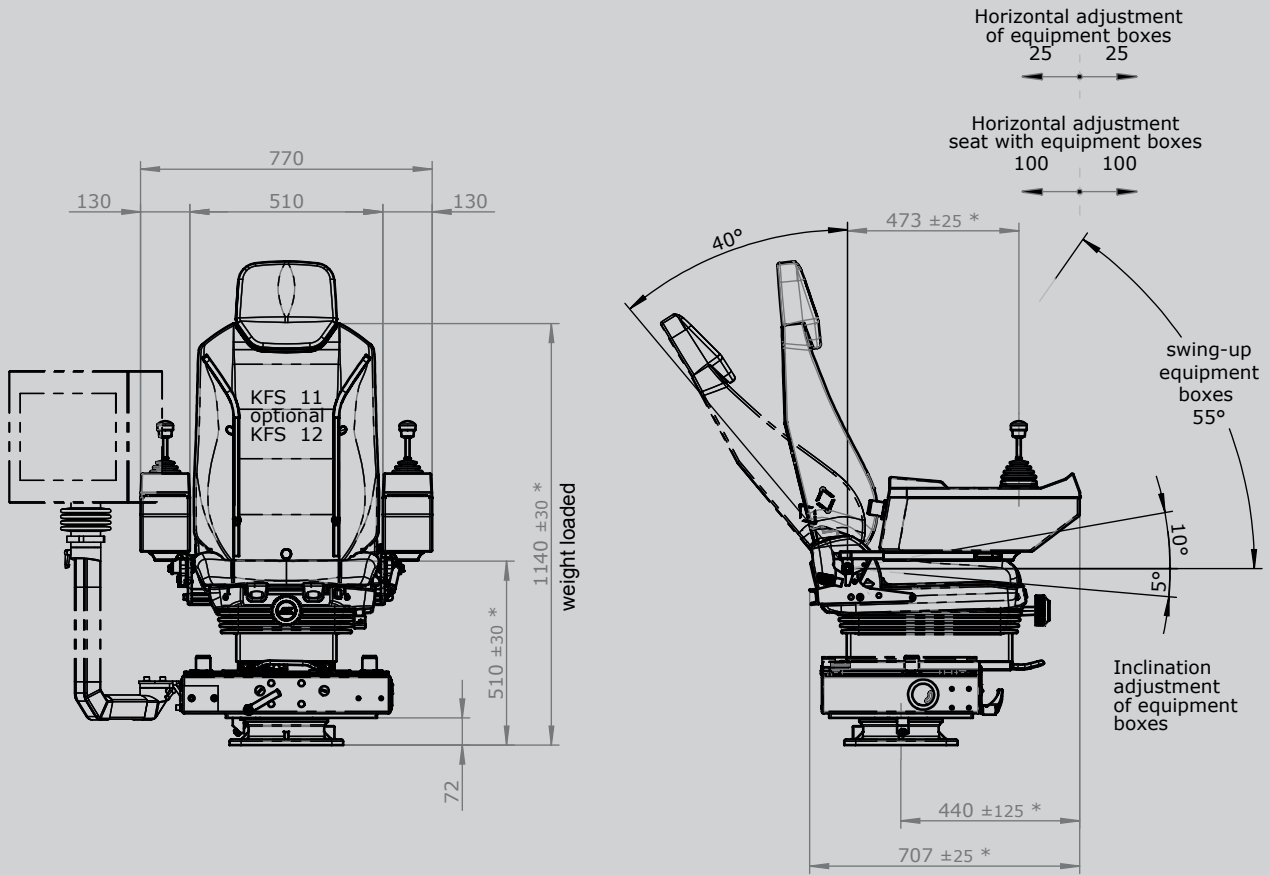
- KL Without wiring, but terminal block built in each terminal
- KLV On terminal block 4 mm² with single wire 1 mm² each terminal
- KLV On SPS (SPS provision) with single wire 1 mm² each terminal
- KLVA External wiring single wire highly flexible 1,5 mm², 5 m long each terminal

Special model

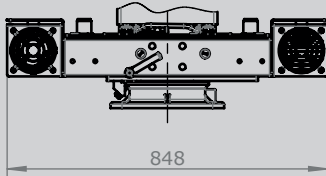
- X Special / customer specified
- X² Special painted

Option

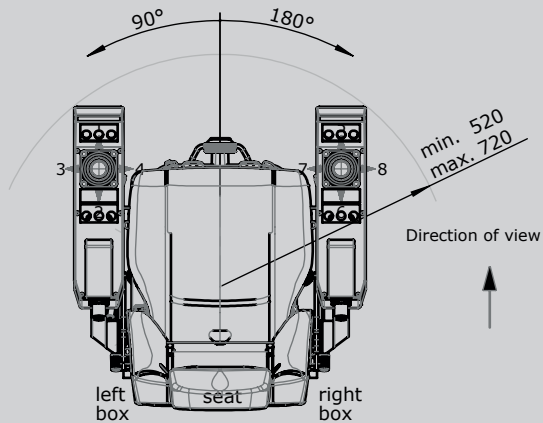
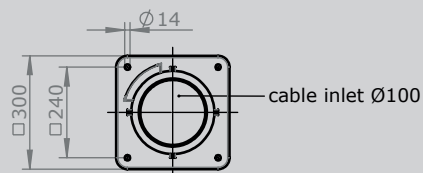
- Radio remote control system



with heating



Floor mounting



* adjustable