



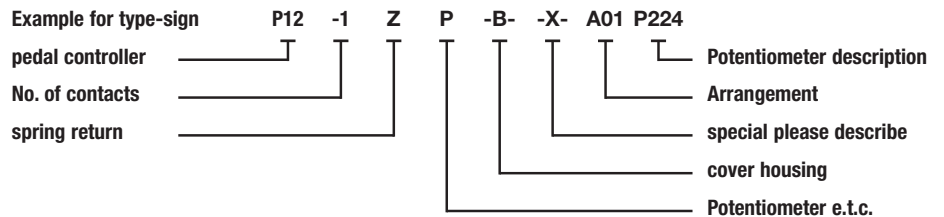
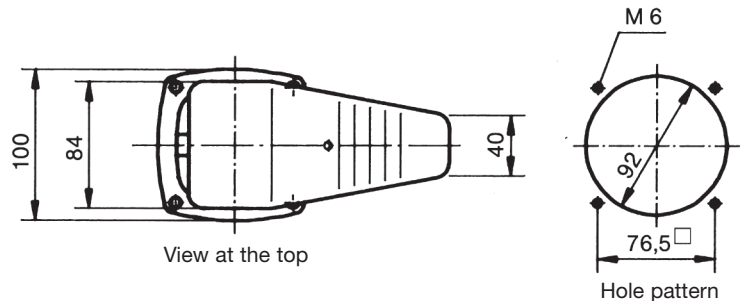
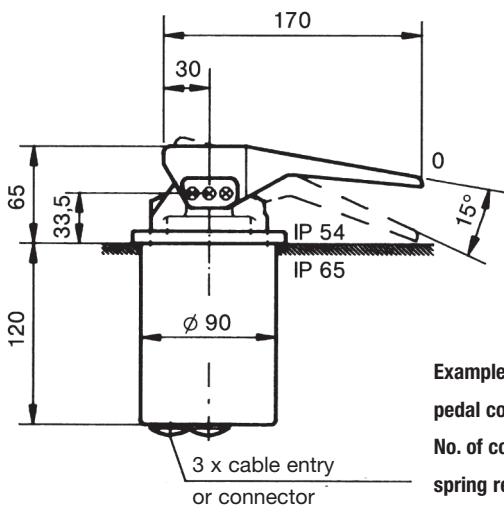
Type P12-1ZP-B...

The pedal-controller P 12 is a rugged switching device to IEC 947-5-1 EN 60947 DIN VDE 0660-200 for electro-hydraulic applications. The modular design enables the switching device to be used universally. The P 12 is resistant to oil, maritime climate, ozone and UV radiation.

Contact complement 0,5 A 110 V AC 15 res. 1,5 A 24 V DC 13
I min > 0,2 mA 2 V DC 12 Gold plated for max. load of 0,12 Watt (standard)

Mechanical life	8 million (operating cycles)
Permissible ambient temperature	Operation -40° C to +60° C Storage -50° C to +80° C
Climate resistance	
Damp heat constant	DIN IEC 68 part 2-3
Damp heat cyclic	DIN IEC 68 part 2-30
Degree of protection front	IP 54 IEC 529 DIN 40050

Technical data look catalog 5/100



Pos.		Type-expansion	Weight gramm	Type	Price EURO
1	Pedal-controller standard version		1300	P 12	
2					
3	Switching sequence max. 0-3				
7	No. of contacts (microswitch) max. 3 pcs.		20	1	
8	Switching program according contact-arrangement MS look catalog 5/001	A...	40	2	
9	or to your contact-arrangement		60	3	
11	Spring return in 0-position		30	Z	
12	Friction brake adjustable		30	R	
15	Potentiometer e.t.c. with mounted Conductive-plastic potentiometer T 362 linear life 10 ⁷ switching cycles Resistance 5 kOhm 0,5 Watt wiper current max. 1 mA	P224 □	70	P	
16	Prepared for mounting potentiometershaft 6 mm adjusting angle 120°			(P)	
17	More potentiometer e.t.c. look catalog 1/240...	P...			
18	Impedance converter Input + 15 Volt, output + 10 Volt / 5 mA	I...		I	
20	Cover housing		300	B	
21	Filter plug M 20 for air-condition		20		
22	Cable entry M 20 with anti-kink protection and strain relief		30		
23	Plug in socket 14-pole female insert CPC 17 wired		150		
24	Connector 14-pole male insert CPC 17 unwired		150		
25	Wiring plug in socket or connector each wired-connection				
26	Electronic (Amplifier, Profi-Bus, CAN-Bus) look catalog 3/510/...	E...			