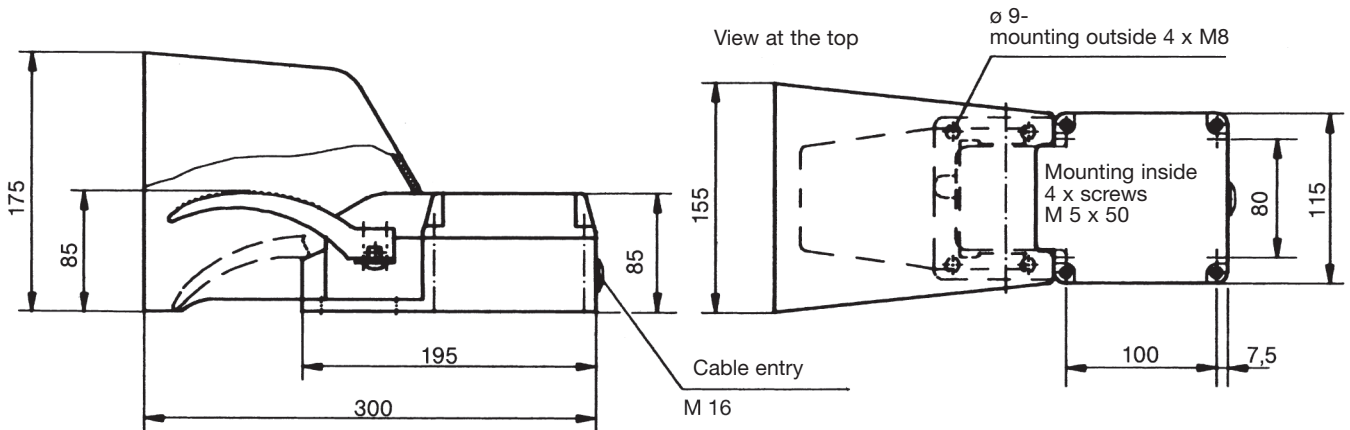


Type P8-1ZP-...

The pedal-controller P 8 and PP 8 is a rugged switching devices to IEC 947-5-1 EN 60 947 DIN VDE 0660-200, for footing applications.

Contact complement 2 A 250 V AC 15 res. 3 A 24 V DC 13

Surface treatment:		Primer, top coat: 2 coats of epoxy-resin paint, standard colour RAL 7032 pebble-grey textured varnish
Mechanical life	P 8 PP 8	6 million (operating cycles) 10 million (operating cycles)
Permissible ambient temperature		Operation -40° C to +60° C Storage -50° C to +80° C
Climate resistance		DIN IEC 68 part 2-3
Damp heat constant		DIN IEC 68 part 2-30
Damp heat cyclic		IP 54 IEC 529 DIN 40050
Degree of protection	P 8 PP 8	IP 65 IEC 529 DIN 40050

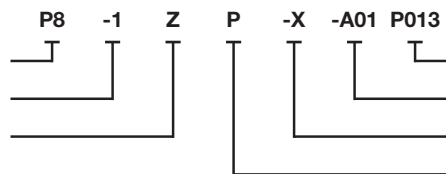


Example for type-sign

Pedal-controller

No. of contacts

Spring return



Potentiometer description

Arrangement

special please describe

Potentiometer e.t.c.

Pos.		Type-expansion	Weight gramm	Type	Price EURO
1	Pedal-controller standard version		2500	P 8	
2	Pedal-controller heavy-duty version		2600	PP 8	
4	Switching sequence max. 0-4		150		
8	No. of contacts (microswitch) max. 6 pcs.		30	1	
9	Switching program according contact-arrangement MS look catalog 5/001	A...	40	2	
10	or to your contact-arrangement		50	3	
11	Spring return in 0-position		100	Z	
12	Friction brake adjustable		50	R	
15	Potentiometer e.t.c. with mounted Wire-wound potentiometer T 129 linear 1,5 Watt wiper current max. 10 mA resistance 1k \cong P012, 2k \cong P013, 4k \cong P014, 10k \cong P015	P01 □	70	P	
16	Prepared for mounting potentiometer shaft 6 mm adjusting-angle 300°			(P)	
17	More potentiometer e.t.c. look catalog 1/240...	P...			