

Type P7-1ZP-...

The pedal-controller P 7 and PP 7 is a rugged switching devices to IEC 947-5-1 EN 60 947 DIN VDE 0660-200, for footing applications.

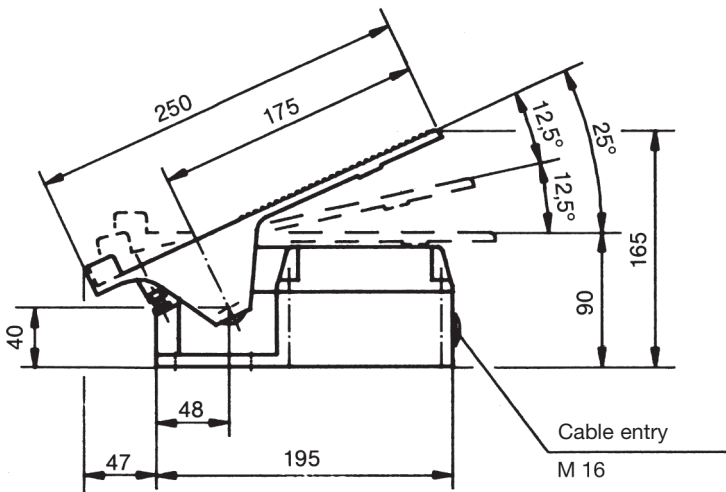
Contact complement 2 A 250 V AC 15 res. 3 A 24 V DC 13

Surface treatment
Primer, top coat: 2 coats of epoxy-resin paint, standard colour
RAL 7032 pebble-grey textured varnish

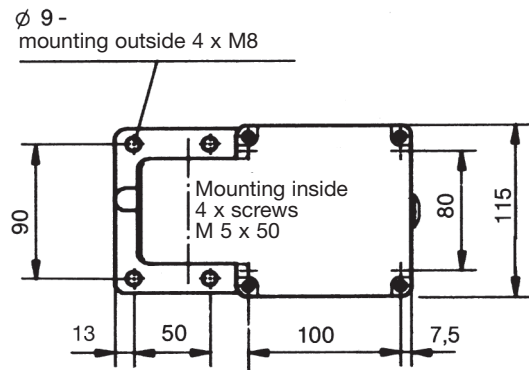
Mechanical life
P 7 6 million operating cycles
PP 7 10 million operating cycles

Permissible ambient temperature
Operation -40° C to +60° C
Storage -50° C to +80° C

Climate resistance
Damp heat constant
Damp heat cyclic
Degree of protection
P 7 IP 54 IEC 529 DIN 40050
PP 7 IP 65 IEC 529 DIN 40050



View at the top without rocker

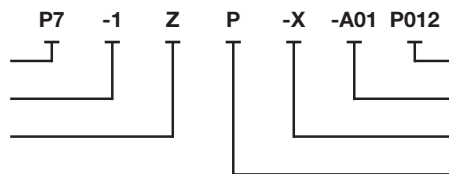


Example for type-sign

Pedal-controller

No. of contacts

Spring return



Potentiometer description

Arrangement

special please describe

Potentiometer e.t.c.

Pos.		Type-expansion	Weight gramm	Type	Price EURO
1	Pedal-controller standard version		1700	P 7	
2	Pedal-controller heavy-duty version		1800	PP 7	
4	Switching sequence max. 0-4 or max. 2-0-2		150		
8	No. of contacts (microswitch) max. 6 pcs.		30	1	
9	Switching program according contact-arrangement MS look catalog 5/001	A...	40	2	
10	or to your contact-arrangement		50	3	
11	Spring return in 0-position		100	Z	
12	Friction brake		50	R	
15	Potentiometer e.t.c. with mounted Wire-wound potentiometer T 129 linear 1,5 Watt wiper current max. 10 mA resistance 1k \cong P012, 2k \cong P013, 4k \cong P014, 10k \cong P015	P01 \square	70	P	
16	Prepared for mounting potentiometer shaft 6 mm adjusting-angel 300°			(P)	
17	More potentiometer e.t.c. look catalog 1/240...	P...			