



Type U25/32/1A/RS/...

The control pedestal U 25/32 accommodates the devices necessary for control and monitoring.

Ready wired, it can be quickly and easily installed on the sea deck.
The housing (pedestal head) is made of seawater-resistant aluminium.

**Contact complement 2 A 250 V AC 15 res. 1 A 24 V DC 13 (standard)
or 4 A 250 V AC 15 (special)**

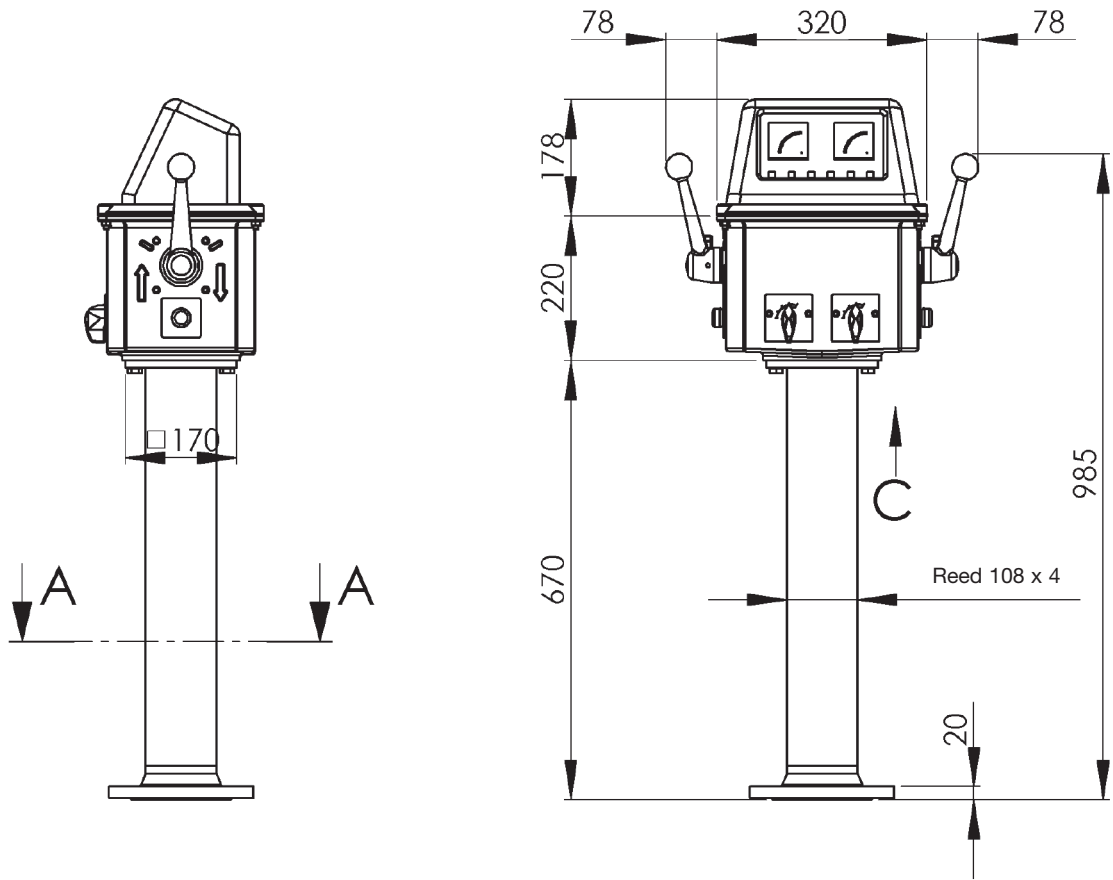
Surface treatment: Anti-corrosion primer, top coat: two coats of epoxy-resin paint, standard colour RAL 7032 pebble-grey textured varnish

All non-painted metal parts are electrogalvanized and chromed.
All mechanical operating parts are made of non-rusting materials.

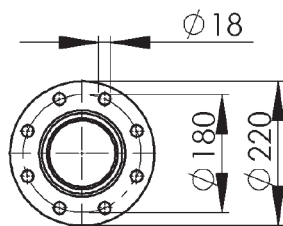
Permissible ambient temperature Operation -40° C to +60° C
Storage -50° C to +80° C

Climate resistance
Damp heat constant DIN IEC 68 part 2-3
Damp heat cyclic DIN IEC 68 part 2-30
Degree of protection IP 66 IEC 529 DIN 40050

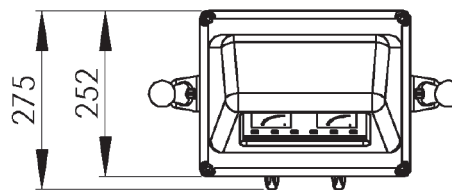
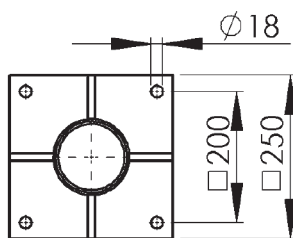
Pos.			Weight kg	Type	Price EURO
1	Housing U 25 / 32 with 1 narrow side-plate with pillar-gasket		6,8	U25/32	
2					
3					
4					
5	Monitoring devices cover with gasket for max. 2 monitors 72 x 72 mm or 4 monitors 72 x 36 mm and max. 6 indicating devices Pos. 28, 29		2,9	IA	
6	Pillar 108 mm ø 670 mm height with flange quadratic or round		18,8	RS	
10	Masterswitch with 6 contacts, with spring return in 0-position with ball handle and indicating labels drive		2,0	N61-03Z-HG	
11	Control-switches with 4 contacts with knob and indicating label		0,7	N62-02-KN	
12	Additional or subtract price each 2 contacts			± 01	
13	more variants see catalog 1/220				
14	Conductive-plastic potentiometer T... with centre tap linear life 10 ⁷ switching cycles resistance 2 x 1 / 5 / 10 kOhm 0,5 Watt wiper current max. 1 mA		0,07	P	
15	more potentiometer see catalog 1/240...				
16	Control-switch with 4 contacts with knob and indicating label	protection IP67	0,4	NWSE	
17	Additional or subtract price each 2 contacts				
20	Heating 20 Watt 220 V or 110 V / 50/60 Hz		0,15	H	
21	Mushroom head push button latching 22 with indicating label	1 NC protection IP67	0,1	PV	
22	Mushroom head push button 22 with indicating label	1 NO protection IP67	0,1	P	
23	Push button 22 with indicating label	1 NO protection IP67	0,1	D	
24	Selector switch 22 with indicating label	1 NO protection IP67	0,1	W	
25	Indicator light 22 with indicating label	Diode 24 Volt protection IP67	0,1	L	
26	Indicator light 22 with indicating label	Diode 220 Volt AC protection IP67	0,1	L	
27	Contact block additional	1 NO or 1 NC			
28	Indicator light 22 with indicating label	24 Volt protection IP65	0,05	L	
29	Indicator light 10 with indicating label	Diode 24 Volt protection IP67	0,03	L	
35	Power monitoring PQ 72 1 mA DC	Engraved your instructions	0,2	PQ	
36	Power monitoring PQ 72 x 36 1 mA DC	Engraved your instructions	0,3	PQ	
37	Ampere monitoring EQ 72 100 / 200 / 1 A	Engraved your instructions	0,2	EQ	
38	Ampere monitoring EQ 72 x 36 100 / 200 / 1 A	Engraved your instructions	0,3	EQ	
39	Monitoring illuminated	24 Volt			
40	Another electrical value are available				
45	Terminal block 2,5 mm ² without wiring	each terminal		KL	
46	Terminal block 2,5 mm ² with wiring wire 0,75 mm ²	each terminal		KL	
47					
48					
49					
50	Engraving, each 10 characters				



View A - A
Flange NW 100 DIN 2633



option flange 250 x 250



View C
(without pedestal)

