



Type TS1-1-5

The portable control unit TS 1 accommodates all the devices necessary for control and monitoring. The chest panel and straps enable the operator to carry it without becoming tired. An adjustable carrying strap can also be fitted for use without the chest plate.

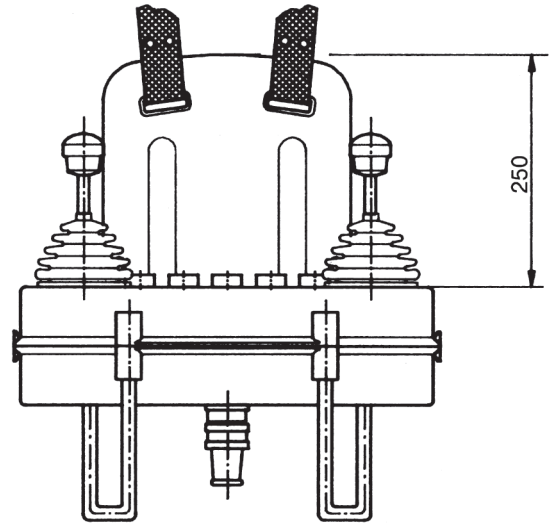
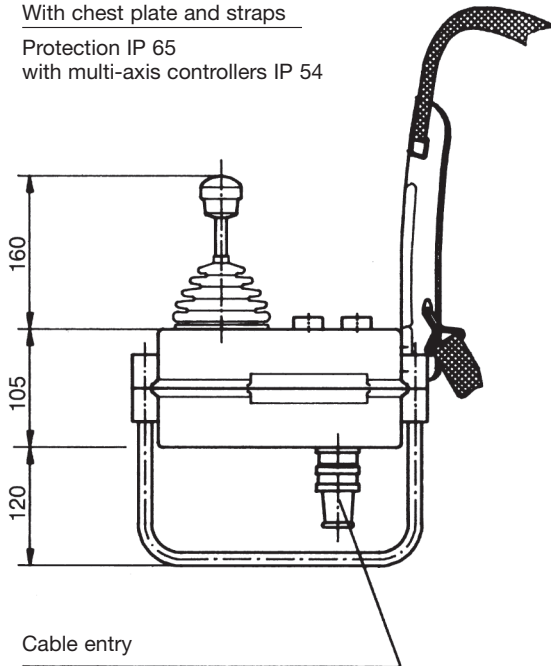
The control console is made of polyester (glass fibre reinforced plastic).
Colour RAL 7032 pebble-grey.
It can also be supplied as RAL 1021 yellow.

Permissible ambient temperature	Operation -40° C to +60° C
	Storage -50° C to +80° C
Climate resistance	
Damp heat constant	DIN IEC 68 part 2-3
Damp heat cyclic	DIN IEC 68 part 2-30
Degree of protection	control unit IP 65 with multi-axis controller IP 54 to IEC 529 DIN 40050

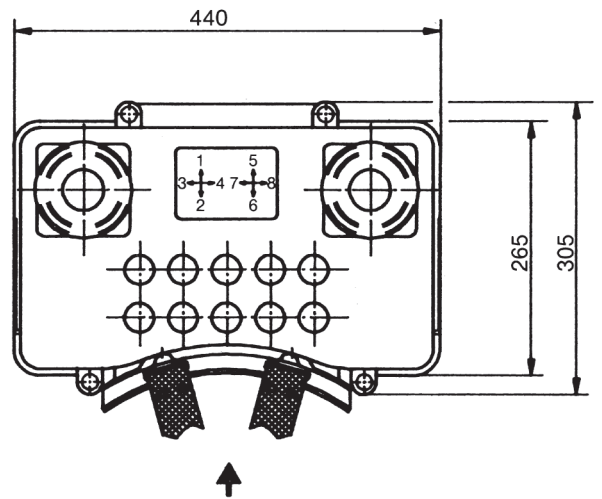
Pos.				Weight gramm	Type	Price EURO
1	Control unit with chest plate and straps			3300	TS 1	
2	Control unit with straps			3000	TS 11	
3						
4	Plastic housing with surface resistance of less than < 10 ⁹ Ohm/cm					
5	Legs for control unit alu-tube 2 pieces			320		
6	Legs for control unit stainless steel-tube V2 A 2 pieces			600		
7	Reeling hooks for control unit stainless steel V2 A			1200		
8	Cable entry M 32 for cable 11-21 mm or M 40 for cable 19-28 mm			80		
9						
10	Multi-axis controller	see catalog 1/100				
11	Single-axis controller	see catalog 1/200				
12						
13	Control-switch	see catalog 1/220				
14	Command and indicating devices	see catalog 1/360				
15	Plug in socket 16-pole male insert	HAN 16 E without wiring		200		
16	Connector 16-pole female insert	HAN 16 E without wiring		250		
17	Plug in socket 24-pole male insert	HAN 24 E without wiring		320		
18	Connector 24-pole female insert	HAN 24 E without wiring		340		
19	Plug in socket 32-pole male insert	HAN 32 A without wiring		380		
20	Connector 32-pole female insert	HAN 32 A without wiring		400		
21	Cable Oelflex 18 x 1 mm ² 13,4 mm ø	-5° C to +80° C each metre		320		
22	Cable Oelflex 25 x 1 mm ² 15,4 mm ø	-5° C to +80° C each metre		450		
23	Cable Oelflex 34 x 1 mm ² 18,6 mm ø	-5° C to +80° C each metre		600		
24	Cable Neoflex 18 x 1 mm ² 19,2 mm ø	-30° C to +80° C each metre		470		
25	Cable Neoflex 24 x 1 mm ² 22,1 mm ø	-30° C to +80° C each metre		650		
26	Cable Neoflex 36 x 1 mm ² 26,1 mm ø	-30° C to +80° C each metre		910		
27						
30	Terminal block 2,5 mm ² without wiring each terminal				KL	
31	Terminal block 2,5 mm ² with wiring wire 1,5 mm ² each terminal				KL	
32	Wired plug in socket, connector or cable each wire terminal					
33						
34						
40	Indicating labels not engraved with 2 or 4 arrows					
41	Engraving, each 10 characters					



With chest plate and straps
Protection IP 65
with multi-axis controllers IP 54



Cable entry
with anti-kink protection and
strain relief or connectors



With adjustable carrying strap
Protection IP 65
with multi-axis controllers IP 54

