



Type KFS92-2-5-6-24

The crane driver's seat KFS 9 is ergonomically designed and provides a high grade of comfort.

The driver's seat is a low level mechanical suspension seat with an oilhydraulic vibration absorption system with weight adjustment.

All adjustment controls are positioned ergonomically within easy access.

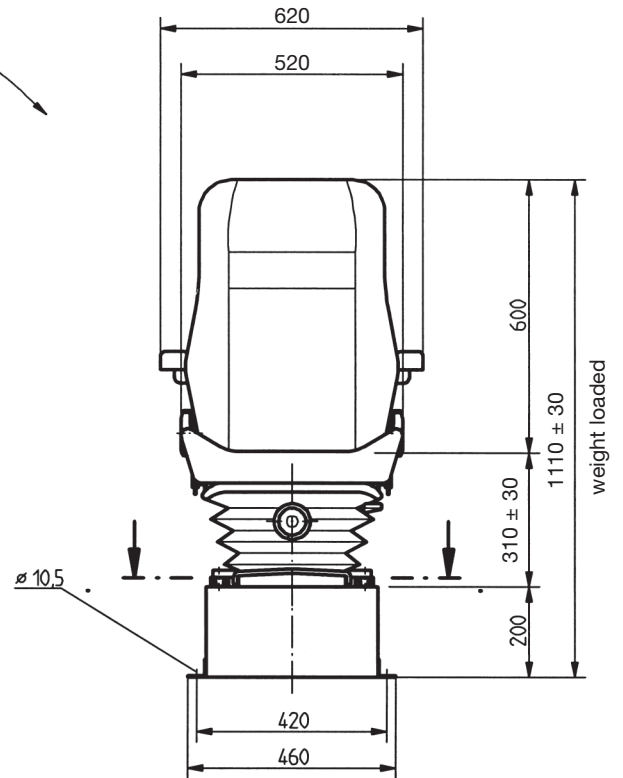
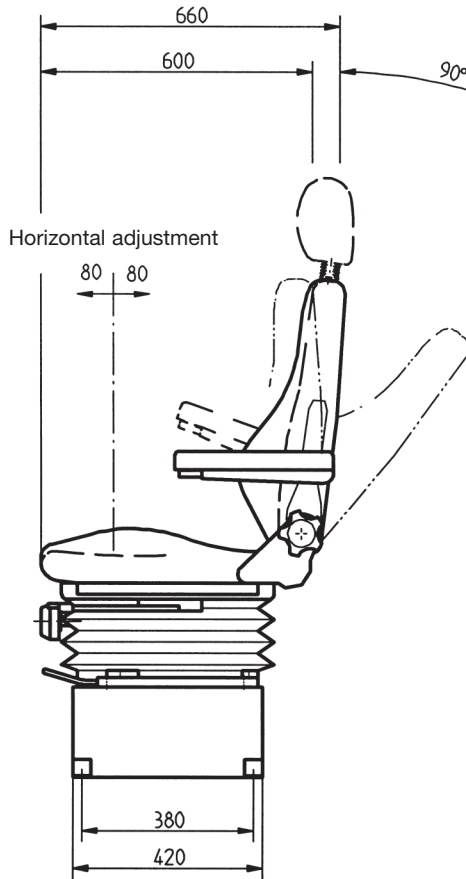
For this comfort driver's seat KFS 9 a lot of efficient accessories are available look Pos. 5-25.

The metal parts are protected against corrosion and painted black.

Technical detail:

Suspension stroke	80 mm
Weight adjustment	50-120 kg
Horizontal adjustment	160 mm
Backrest adjustment stepless inclination backwards	90°
Height and slope adjustment	60 mm

Pos.				Weight kg	Type	Price EURO
1	Driver's seat standard design with air-permeable artificial leather cover black			25	KFS 91	
2	Driver's seat standard design with textil cover grey / black			25	KFS 92	
3						
4						
5	Headrest raint					
6	Armrest adjustable (2 pieces) 50 mm wide					
7	Armrest adjustable (2 pieces) 100 mm wide					
8						
9	Backrest with lumbar support manual adjustment 2 movement					
10	Backrest with lumbar support manual adjustment 4 movement					
11						
12	Seat cushion V-cut (free sight to down) (Pos. 19 required)					
13	Seat contact 1 NO 1,5 A 24 V DC					
14	Seat cushion and backrest standard with heating element 24 V DC 47 Watt					
15	Seat cushion deep prolongation + 35 mm					
16	Safety belt 2 point fixing					
17	Safety belt 4 point fixing (trouser braces belt) (Pos. 5 additionally required)					
18						
19	Horizontal adjustment dual 160 + 120 mm (total 280 mm seat height + 30 mm)					
20	Pneumatic vibration absorption system with weight adjustment by compressor 24 V DC 8 Ampere					
21	Plate for horizontal manual adjustment of seat adjustable 500 mm with floor mounting plate					
22						
23	Loose cover					
24	Console			10		
25						



manual adjustment of seat
adjustable 500 mm

