



Type KST9KFS92-...

The swivelling crane control unit KST 9 is ergonomically designed and provides a high degree of comfort.

The standard design includes following:

Equipment boxes: plastic PU foam

The equipment boxes with the devices can be vertically and horizontally adjusted together with the armrests. Cabling is run through duct in the cross-member. (Terminal block).

Seat: Comfortable spring mounted seat KFS 6, with an oilhydraulic vibration absorption system, weight adjustment and air-permeable artificial leather or textil material, with headrest.

Adjusting possibilities: Seat horizontally and vertically. Inclination of cushion, backrest and armrest also adjustable. Weight setting for optimum spring suspension. Right equipment box turnable.

Cross-member: Steel section, top of which can be raised to lay cabling. The seat can be tilted backwards so that the cable duct in the cross-member is accessible.

Swivel base: Zero-end-float spring-loaded bearing. Rotational movement 180° right, 90° left, stopped by friction brake.

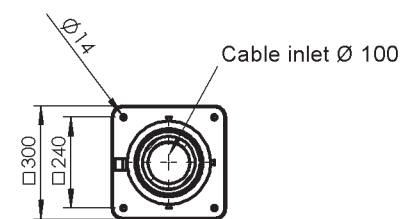
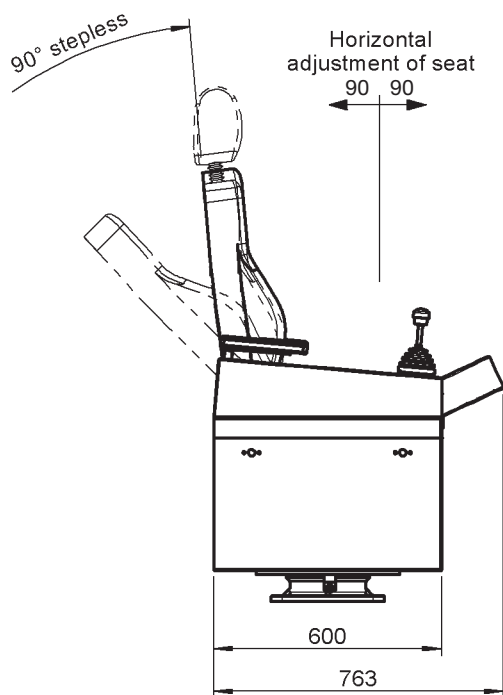
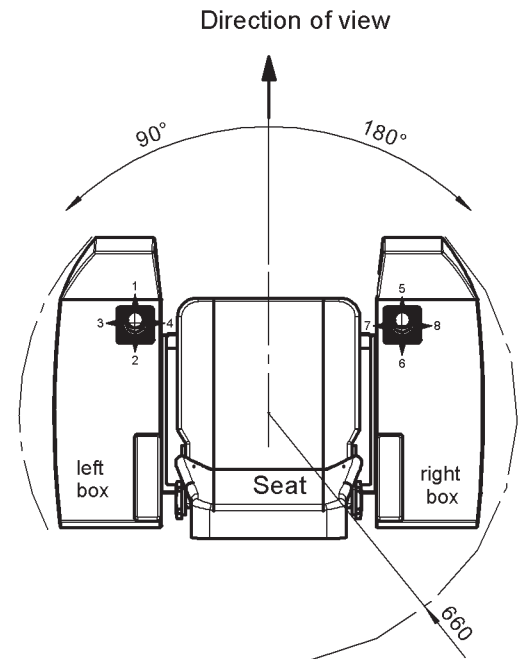
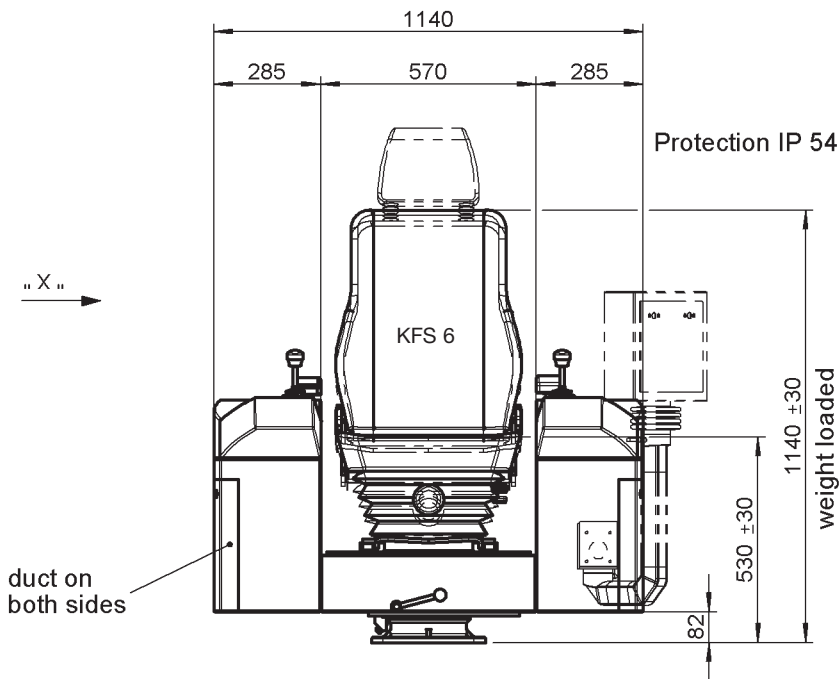
Surface treatment: Anti-corrosion primer, top coat: 2 coats of epoxy-resin paint, standard colour RAL 9011 black. textured varnish

All non-painted metal parts are electrogalvanized and chromed.

Permissible ambient temperature	Operation -40° C to +60° C
	Storage -50° C to +80° C
Climate resistance	
Damp heat constant	DIN IEC 68 part 2-3
Damp heat cyclic	DIN IEC 68 part 2-30
Degree of protection	IP 54 IEC 529 DIN 40050

Description data see catalog 5/006/007

Pos.				Weight kg	Type	Price EURO
1	Crane control unit standard design			48	KST 9	
2						
3						
4						
5						
6	additional variations for driver's seat KFS 6	see catalog 2/134			KFS 6	
7	Driver's seat KFS 9	see catalog 2/140			KFS 9	
8	Driver's seat KFS 10	see catalog 2/142			KFS 10	
9	Monitor mounting support left or right T 478			10		
10	Footrest mounted onto swivel base adjustable ± 30 mm			8		
11						
12						
13	Plate for horizontal manual adjustment of control unit adjustable ± 250 mm					
14	Manual adjustment of control unit vertical (gas loaded spring) adjustable 80 mm					
15						
16						
17						
18	Motorized adjustment of control unit swivelling (drive 24 V DC, seat height + 30 mm)					
19						
20	Multi-axis controller	see catalog 1/100				
21	Single-axis controller	see catalog 1/200				
22	Double-handle controller	see catalog 1/160				
23	Control-switch	see catalog 1/220				
24	Command and indicating devices	see catalog 1/360				
30	Terminal block 4 mm ² without wiring each terminal				KL	
31	Terminal block 4 mm ² with wiring wire 1,5 mm ² each terminal				KL	
32	External wiring single wire highly flexible 1,5 mm ² 5 metre long					
33	Additional or subtract price each metre					
40	Special painted					
41	Indicating labels not engraved with 2 or 4 arrows					
42	Engraving, each 10 characters					



View "X"

Floor mounting