



Type B142D-...

Type B152D-...

The palm grip B 14 is an actuating element for our multi-axis controller V 8, VV 8, V 6, VV 6, VV 5 design left, B 15 for design right. It can also be used as an actuating element for hydraulic drives. Push buttons, rocker switches, e.t.c., can also be fitted to suit appropriate requirements.

The palm grip has a highly flexible single wire 0,1 mm² x 450 mm long.

The mounting piece for the drive rod can be supplied with a tapped hole 12 or 10 mm (standard = 12 mm).

The palm grip B 14/15 is made of PA plastic and is black in colour.

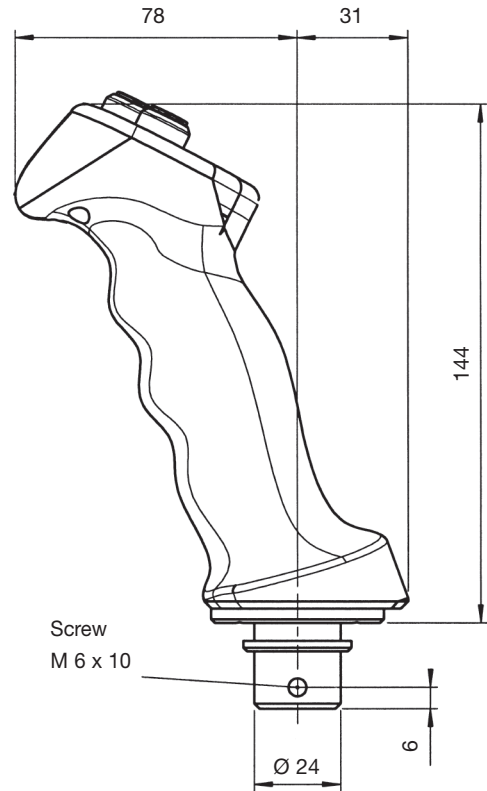
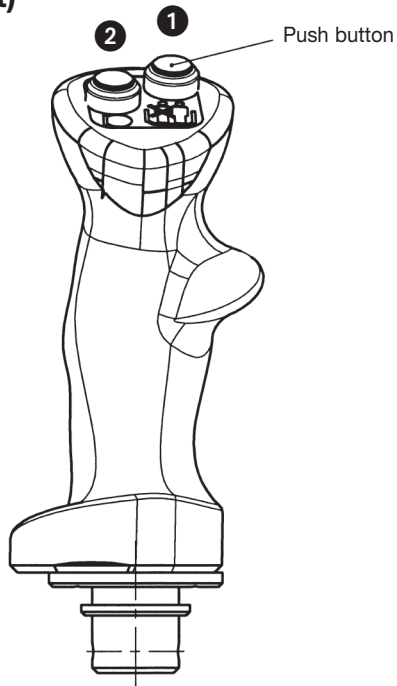
Contact complement 0,125 A 110 V AC 15 res. 0,1 A 24 V DC 13

Permissible ambient temperature	Operating	-40°C to +60°C
	Storage	-50°C to +80°C
Climate resistance		
Damp heat constant		DIN IEC 68 part 2-3
Damp heat cyclic		DIN IEC 68 part 2-30
Degree of protection front		IP 65 IEC 529 DIN 40050

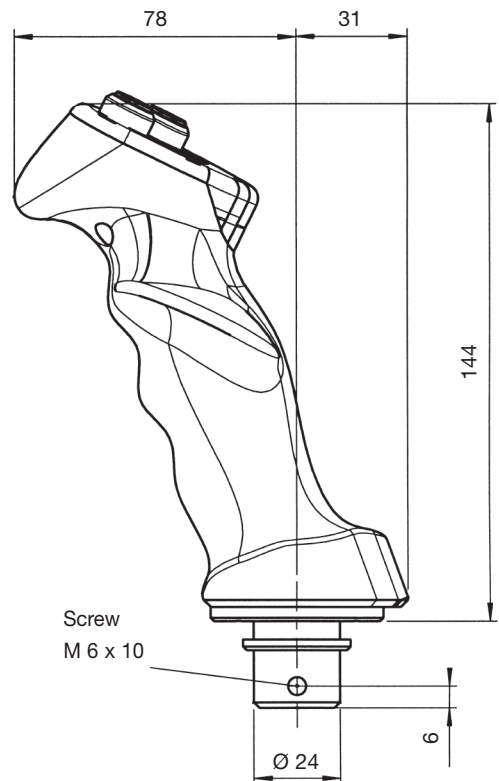
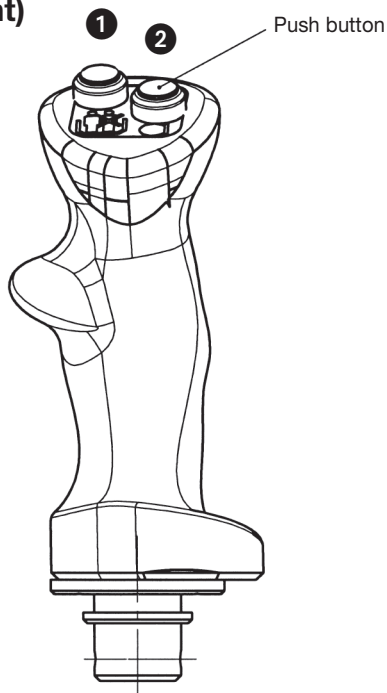
Pos.		Contact-complement	Weight gramm	Type	Price EURO
1	Palm grip with mounting piece for control-handle design left		200	B 14	
2	Palm grip with mounting piece for control-handle design right		200	B 15	
3	Push button 1 NO installed Pos. 1, 2 color red RD, black BK, yellow YE, green GN, blue BU, white WH		20	D	
30					
31					
32					
33					



B 14 (left)

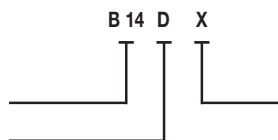


B 15 (right)



Example for type-sign

Palm grip
Push button



Special please describe