

Type S23L-2ZP-...

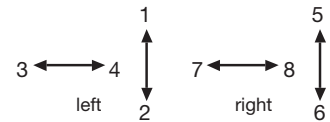
The single-axis controller S 23 is a rugged switching device according IEC 947-5-1 EN 60947 DIN VDE 0660-200 for electro-hydraulic applications and offshore. The modular design enables the switching device to be used universally. The S 23 is resistant to oil, maritime climate, ozone and UV radiation.

**Contact complement 2 A 250 V AC 15 res. 3 A 24 V DC 13**

Mechanical life 6 million (operating cycles)  
Permissible ambient temperature Operation -40° C to +60° C  
Storage -50° C to +80° C

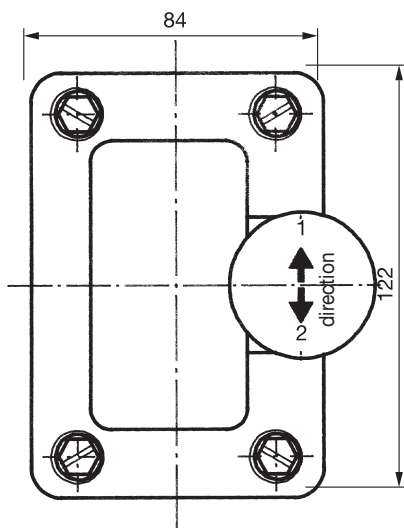
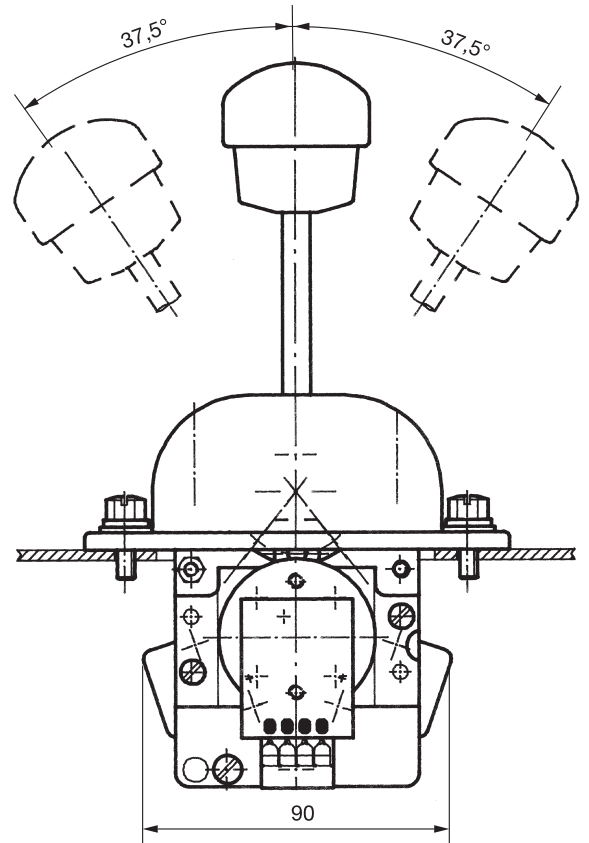
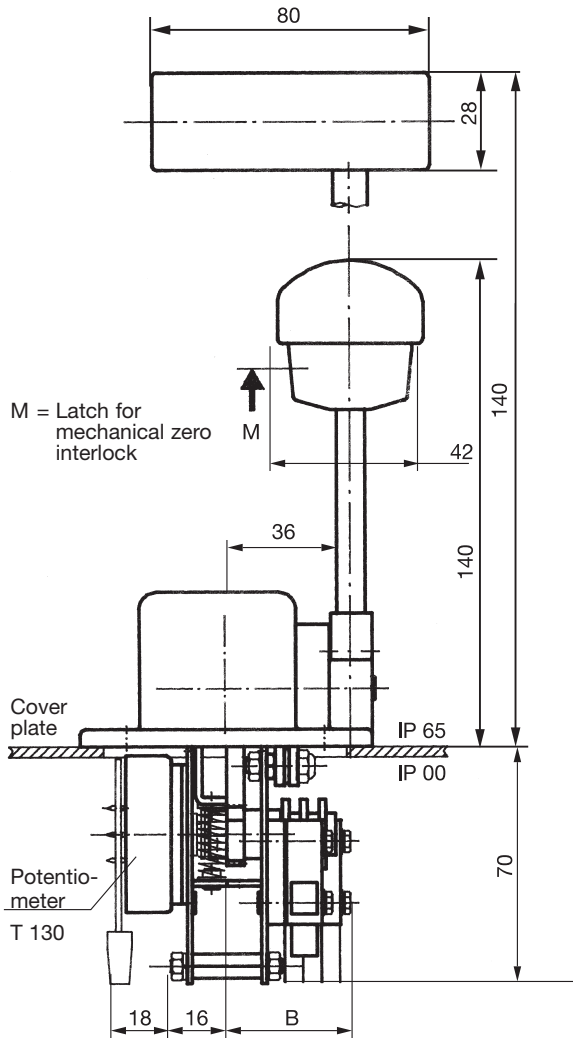
Climate resistance  
Damp heat constant DIN IEC 68 part 2-3  
Damp heat cyclic DIN IEC 68 part 2-30  
Degree of protection front IP 65 IEC 529 DIN 40050  
Technical data see catalog 5/100  
Description data see catalog 5/002

Spindle block with schematic representation of the master controller installation and deflection directions. Version shown for left-hand side installation (right-hand side installation is mirror image).



Deflection directions designated to DIN 15025

Pos.	S 23	Type expansion	Weight gramm	Type	Price EURO
1			700	S 23	
2					
3					
4					
5					
7.1	Single-axis controller left (dir. 1-2, 3-4)			L	
7.2	Single-axis controller right (dir. 5-6, 7-8)			R	
10					
20	Control-handle with knob solid				
21	Control-handle with latch for mechanical zero interlock by lifting		50	M	
21.1					
22					
23					
24					
25					
26	Control-handle with T-grip		40	Q	
27					
28	Control-handle long or short				
28.1	-20 mm			S5	
28.2	+20 mm			S8	
29					
30	Masterswitch (contact) switching sequenc -0-		No. of contacts 1	1	
31			2	2	
32			3	3	
33	Switching program according contact-arrangement MS... see catalog 5/001	A...	4	4	
34	or to your contact-arrangement				
35					
36	Switching sequence 2-0-2				
38	Spring return in 0-position (for each direction)		20	Z	
39	Friction brake adjustable (for each direction)		20	R	
40	Potentiometer e.t.c. each masterswitch with mounted Wire-wound potentiometer T 130, with centre tap, 1,5 Watt wiper current max. 10 mA resistance 2 x 0,5k $\pm$ P021, 2 x 1k $\pm$ P022, 2 x 2k $\pm$ P023, 2 x 5k $\pm$ P024, 2 x 10k $\pm$ P025	...P02 $\square$	70	P	
41	Prepared for mounting potentiometer shaft 6 mm adjusting-angle 2 x 150°			(P)	
42	Prepared for mounting potentiometer e.t.c. adjusting-angle variable.			(P)	
43	more Potentiometer e.t.c. see catalog 1/240...	P...			
50	Steel sheet housing B 200 masterswitch Gr. 4		1300	B	
51					
52	More housing see catalog 1/350				
60	Indicating labels not engraved with 2 arrows				
61	Engraving, each 10 characters				
62					
70	Command and indicating devices see catalog 1/360				



Type	No. of contacts	Dimension B
1	1	25
2	2	31
3	3	36
4	4	42

