



Type S1LGS8-00ZP-...

Type S1LGK4-00ZP-...

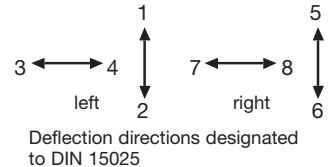
The single-axis controller S 1 is a rugged switching device according IEC 947-5-1 EN 60947 DIN VDE 0660-200 for remote control and electro-hydraulic applications. The S 1 is resistant to oil, maritime climate, ozone and UV radiation.

Contact complement 0,5 A 110 V AC 15 res. 1,5 A 24 V DC 13
I min > 0,2 mA 2 V DC 12 Gold plated for max. load of 0,12 Watt (standard)

Mechanical life 6 million (operating cycles)
Permissible ambient temperature Operation -40° C to +60° C
Storage -50° C to +80° C

Climate resistance
Damp heat constant DIN IEC 68 part 2-3
Damp heat cyclic DIN IEC 68 part 2-30
Degree of protection front IP 65 IEC 529 DIN 40050
Technical data see catalog 5/100
Description data see catalog 5/002

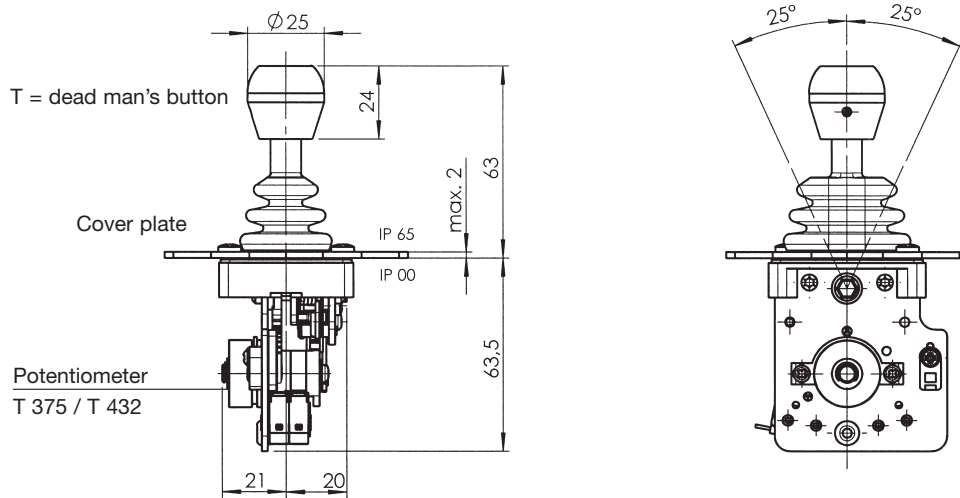
Spindle block with schematic representation of the master controller installation and deflection directions.
Version shown for left-hand side installation (right-hand side installation is mirror image).



Pos.	S 1	Type expansion		Weight gramm	Type	Price EURO
1				150	S 1	
2						
3						
4						
5						
7.1	Single-axis controller left (dir. 1-2, 3-4)				L	
7.2	Single-axis controller right (dir. 5-6, 7-8)				R	
10						
20	Control-handle with knob solid GK 4					
21	Control-handle with latch for mechanical zero interlock by lifting			50	M	
22	Control-handle with dead man's button 1 NO			80	T	
23						
24	Control-handle with push button 1 NO				D	
25						
26	Control-handle with knob GS 8				GS 8	
30	Masterswitch (contact) switching sequenc -0- Switching program according contact-arrangement MS see catalog 5/001 or to your contact-arrangement	A...	No. of contacts 2 4	20 40	01 02	
36	switching sequence 2-0-2					
38	Spring return in 0-position (for each direction)				Z	
39	Friction brake adjustable (for each direction)				R	
44	Potentiometer e.t.c. each masterswitch with mounted Conductive-plastic potentiometer T 375, with centre tap linear life 10 ⁷ switching cycles resistance 2 x 5 kOhm 0,5 Watt wiper current max. 1 mA	...P37 □		20	P	
45	Conductive-plastic potentiometer T 430 with centre tap linear life 10 ⁷ switching cycles resistance 2 x 5 kOhm 2 conductive-plastic-contact way arrangement MSP 21 (catalog 5/001) 0,5 Watt wiper current max. 1 mA	...P27 □		25	P	
52	Housing see catalog 1/350					
60	Indicating labels not engraved with 2 arrows					
61	Engraving, each 10 characters					
70	Command and indicating devices see catalog 1/360					



S 1 with knob solid GK 4



S 1 with knob GS 8

