



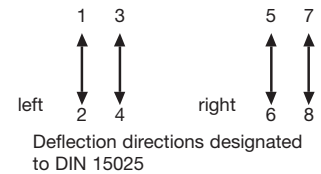
Type D3LQQ-2ZP+2ZP-B...

The double-handle controller D 3 is a rugged switching device according IEC 947-5-1 EN 60947 DIN VDE 0660-200 for nautical navigation applications. The modular design enables the switching device to be used universally. The D 3 is resistant to oil, maritime climate, ozone and UV radiation.

Contact complement 0,5 A 110 V AC 15 res. 1,5 A 24 V DC 13
I min > 0,2 mA 2 V DC 12 Gold plated for max. load of 0,12 Watt (standard)

Mechanical life	12 million (operating cycles)
Permissible ambient temperature	Operation -40° C to +60° C Storage -50° C to +80° C
Climate resistance	
Damp heat constant	DIN IEC 68 part 2-3
Damp heat cyclic	DIN IEC 68 part 2-30
Degree of protection front	IP 66 IEC 529 DIN 40050
Technical data see catalog 5/100	
Description data see catalog 5/002	

Spindle block with schematic representation of the master controller installation and deflection directions.
Version shown for left-hand side installation (right-hand side installation is mirror image).



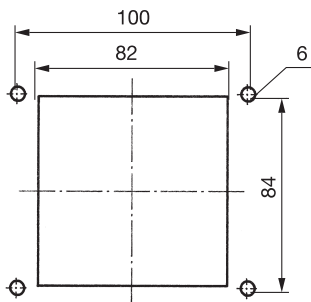
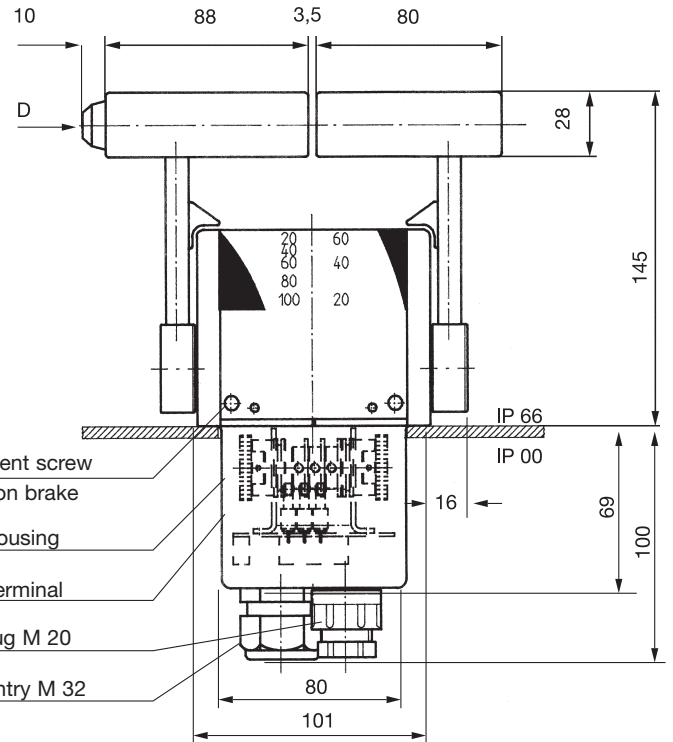
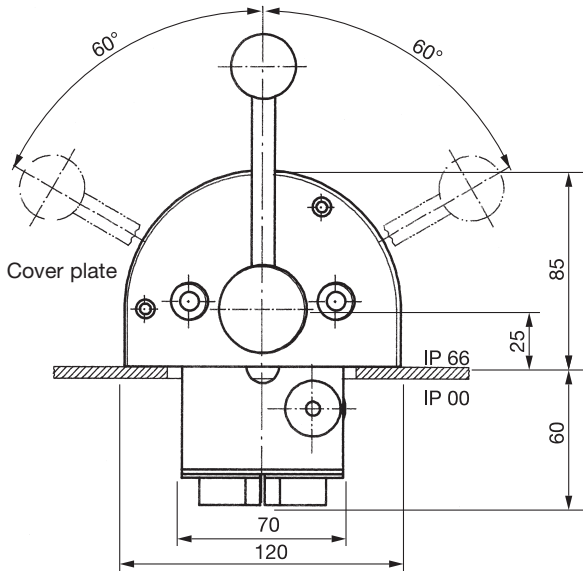
Pos.	D 3	Type expansion	Weight gramm	Type	Price EURO
1					
2					
3			4000	D 3	
4					
5					
7.1	Double-handle controller left (dir. 1-2, 3-4)			L	
7.2	Double-handle controller right (dir. 5-6, 7-8)			R	
10					
20	Control-handle with knob solid				
21					
22					
23					
24	Control-handle with push button 1 NO		110	D	
25					
26	Control-handle with T-grip		40	Q	
27	Control-handle with T-grip and push button side 1 NO		60	QD	
28	Control-handle long or short				
28.1	-20 mm			S5	
28.2	+20 mm			S8	
29					
30	Masterswitch (contact) switching sequenc -0-		No. of contacts 1	20	1
31			2	40	2
32	Direction 1-2 and 3-4 each 1 masterswitch		3	60	3
33	Switching program according contact-arrangement MS... see catalog 5/001	A...			
34	or to your contact-arrangement				
35					
36	Switching sequence special				
38	Spring return in 0-position (for each direction)			30	Z
39	Friction brake adjustable (for each direction)			30	R
40	Potentiometer e.t.c. each masterswitch with mounted Conductive-plastic potentiometer T 246, with centre tap linear 0,5 Watt wiper current max. 1 mA, resistance 2 x 5k \cong P214	...P21 \square		70	P
41	Prepared for mounting potentiometer shaft 6 mm adjusting-angle 2 x 75°				(P)
42	Prepared for mounting potentiometer e.t.c. adjusting-angle variable.				(P)
43	more Potentiometer e.t.c. see catalog 1/240...	P...			(P)
50	Cover housing			300	B
51	Filter plug M 20 for air-condition			20	
52	Cable entry M 32 with anti-kink protection			30	
60	Indicating label eloxal aluminium plate silvery (included in the spindle block)				
61	Engraving, each 10 characters				



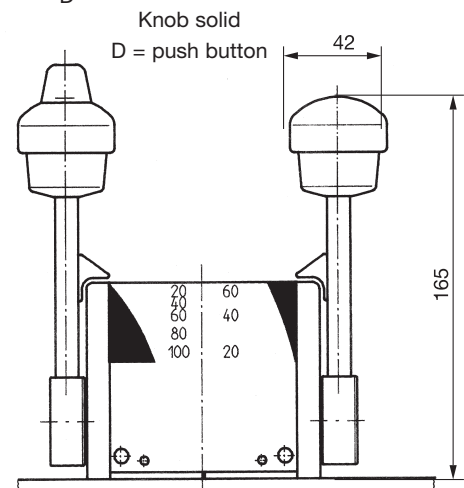
T-grip

D = push button

Direction 1-2 Direction 3-4



Hole pattern



Knob solid
D = push button

