

Type V20L-0ZC+0ZC-...

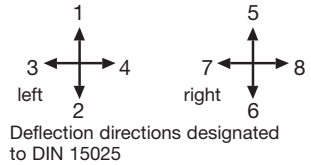
The multi-axis controller V 20 is a rugged switching device according IEC 947-5-1 EN 60947 DIN VDE 0660-200 for remote control and other applications.
The V 20 is resistant to oil, maritime climate, ozone and UV radiation.

Mechanical life 3 million (operating cycles)
Permissible ambient temperature Operation -30° C to +70° C
Storage -50° C to +80° C

Climate resistance
Damp heat constant DIN IEC 68 part 2-3
Damp heat cyclic DIN IEC 68 part 2-30
Degree of protection front IP 65 IEC 529 DIN 40050

Description data see catalog 5/002

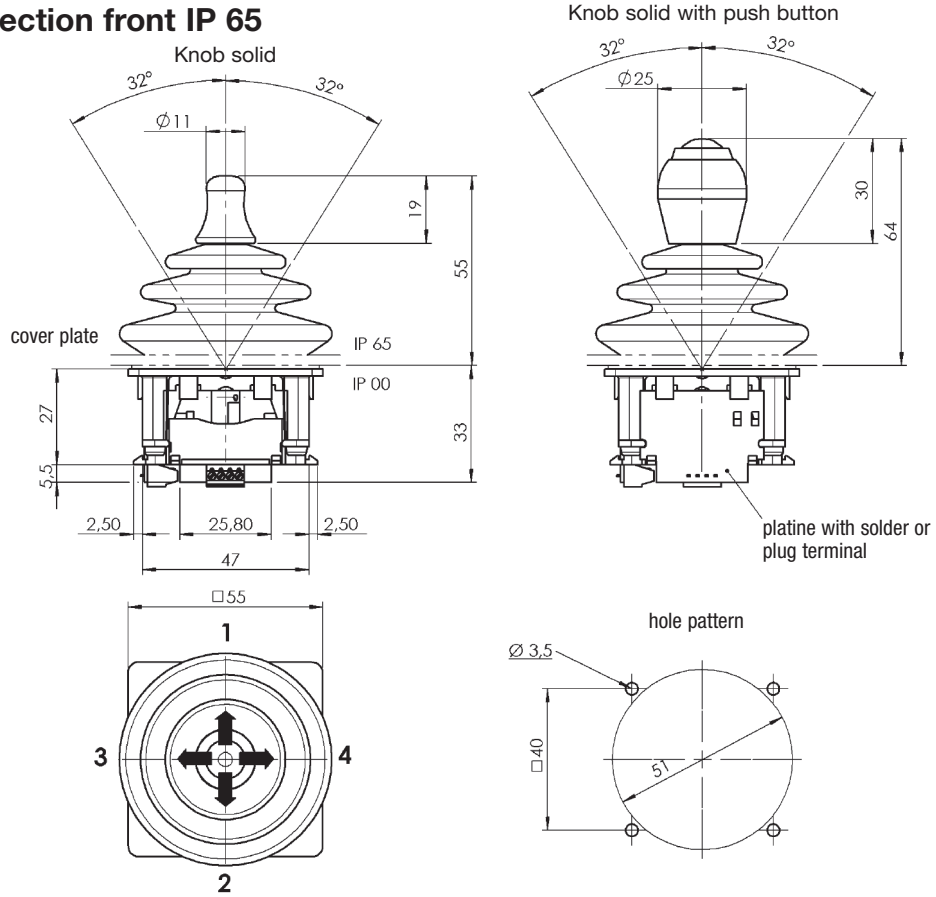
Spindle block with schematic representation of the master controller installation and deflection directions.
Version shown for left-hand side installation (right-hand side installation is mirror image).



Pos.	V 20.1	V 20	Type expansion	Weight gramm	Type	Price EURO	
1				80	V 20.1		
2							
3					90	V 20	
4							
5							
6	Degree of Protection, front IP67 by bellow						
7.1	Multi-axis controller left	(dir. 1-2, 3-4)			L		
7.2	Multi-axis controller right	(dir. 5-6, 7-8)			R		
9	Gate open-shaped	for open shifting switching sequence 1-0-1 to 3-0-3			P		
10	Gate cross-shaped	(prohibits diagonal shifting)			PX		
11	Gate special-shaped	(e.g. H-gate)					
20	Control-handle with knob solid						
21							
22							
23							
24	Control-handle with push-button			50	D		
25							
30	without switching sequence						
31							
32							
33							
34							
35							
36	switching sequence 4-0-4						
38	Spring return in 0-position (included in the spindle block)				Z		
40	Mechanical encoder with mounted direction 1-2 and 3-4 each 1 encoder life 3 x 10 ⁶ switching cycles 0,5 Watt wiper current max. 1 mA with solder or plug terminal						
44	Mechanical encoder MEC 2-1 male connector EA/15-10 contact-arrangement MS 224-0 see catalog 5/001 Conductive-plastic potentiometer with centre tap linear resistance 2 x 5 kOhm		C 70	15	C		
45	Mechanical encoder MEC 2-2 male connector EA / 11-10 contact-arrangement MS 24-0 see catalog 5/001 Conductive-plastic potentiometer with centre tap linear resistance 2 x 5 kOhm		C 71	15	C		
50	Cover housing KBQ 905 (IP65)						
52	Housing see catalog 1/350						
60	Indicating labels not engraved with 2 or 4 arrows						
61	Engraving, each 10 characters						
70	Command and indicating devices see catalog 1/360						



Degree of Protection front IP 65



Degree of Protection front IP 67

