



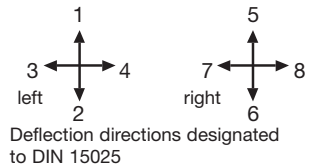
Type V8LB3DSRPA12-2ZP+2ZP-...

The multi-axis controller V 8 is a rugged switching device according IEC 947-5-1 EN 60947 DIN VDE 0660-200 for electro-hydraulic applications. The modular design enables the switching device to be used universally. The V 8 is resistant to oil, maritime climate, ozone and UV radiation.

Contact complement 0,5 A 110 V AC 15 res. 1,5 A 24 V DC 13
I min > 0,2 mA 2 V DC 12 Gold plated for max. load of 0,12 Watt (standard)

Mechanical life V 8 10 million (operating cycles)
 Mechanical life VV 8 20 million (operating cycles)
 Operation -40° C to +60° C
 Storage -50° C to +80° C
 Climate resistance
 Damp heat constant DIN IEC 68 part 2-3
 Damp heat cyclic DIN IEC 68 part 2-30
 Degree of protection front IP 54 IEC 529 DIN 40050
 Technical data see catalog 5/100
 Description data see catalog 5/002

Spindle block with schematic representation of the master controller installation and deflection directions.
 Version shown for left-hand side installation (right-hand side installation is mirror image).



Pos.	V 81	V 8	Type expansion	Weight gramm	Type	Price EURO
1	1	1		800	V 81	
2	↑	↑		800	VV 81	
3	○	3 ← ○ → 4		900	V 8	
4	↓	↓		900	VV 8	
5	2	2				
7.1	Multi-axis controller left	(dir. 1-2, 3-4)			L	
7.2	Multi-axis controller right	(dir. 5-6, 7-8)			R	
10	Gate cross-shaped	(prohibits diagonal shifting)		60	P	
11	Gate special-shaped	(e.g. H-gate)		60	PX	
20	Control-handle with knob solid					
21	Control-handle with latch for mechanical zero interlock					
21.1	by lifting			50	M	
21.2	by lifting, interlocking the gate or the joint bracket			60	MP	
21.3	by pushing down			50	MN	
21.4	Mechanical zero interlock with command devices see catalog 1/282					
22	Control-handle with dead man's button 1 NO			100	T	
23	Control-handle with signal button 1 NO			100	H	
24	Control-handle with push button 1 NO			110	D	
25	Control-handle with flat push button 1 NO			110	DV	
26	Control-handle with palm grip B 1			40	B 1	
27	Control-handle with palm grip B 1 with push button top 1 NO			60	B 1T	
28	Control-handle long or short					
28.1		-20 mm			S5	
28.2		+20 mm			S8	
29	More knobs, grips and T-grips with and without signal devices see catalog 1/280...					
30	Masterswitch (contact) switching sequenc -0-		No. of contacts	1	20	1
31				2	40	2
32	Direction 1-2 and 3-4 each 1 masterswitch			3	60	3
33	Switching program according contact-arrangement MS... see catalog 5/001		A...			
34	or to your contact-arrangement					
36	Switching sequence 3-0-3					
38	Spring return in 0-position	(for each direction)		30	Z	
39	Friction brake adjustable	(for each direction)		30	R	
40	Potentiometer e.t.c. each masterswitch with mounted		...P18 □	70	P	
41	Conductive-plastic potentiometer T 301, with centre tap linear					
42	0,5 Watt wiper current max. 1 mA					
43	resistance 2 x 1k ± P182, 2 x 2k ± P183, 2 x 5k ± P184, 2 x 10k ± P185					
41	Prepared for mounting potentiometer shaft 6 mm adjusting-angle 2 x 120°					(P)
42	Prepared for mounting potentiometer e.t.c. adjusting-angle variable.					(P)
43	more Potentiometer e.t.c. see catalog 1/240...		P...			
45	Electronic (Amplifier, Profi-Bus, CAN-Bus) see catalog 3/510/...		E...			
50	Cover housing			300	B	
51	Filter plug M 20 for air-condition			20		
52	Cable entry M 20 with anti-kink protection and strain relief			30		
53	Plug in socket	14-pole female insert CPC 17 wired		150		
54	Connector	14-pole male insert CPC 17 unwired		150		
55	Wiring plug in socket or connector each wired-connection					
60	Indicating labels not engraved with 2 or 4 arrows					
61	Engraving, each 10 characters					

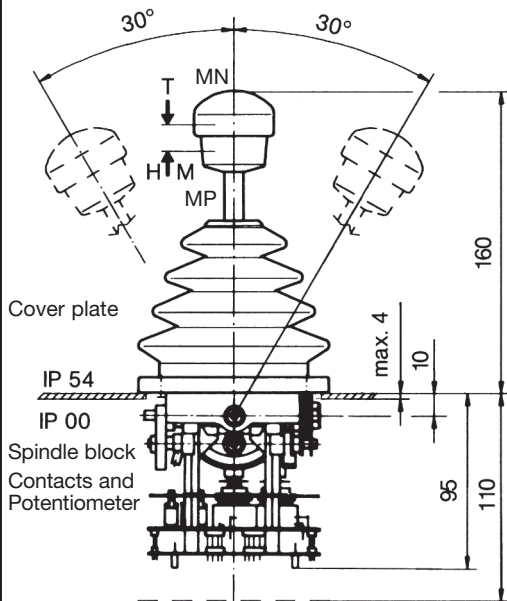


T = dead man's button
H = signal button
M = latch for mechanical zero interlock

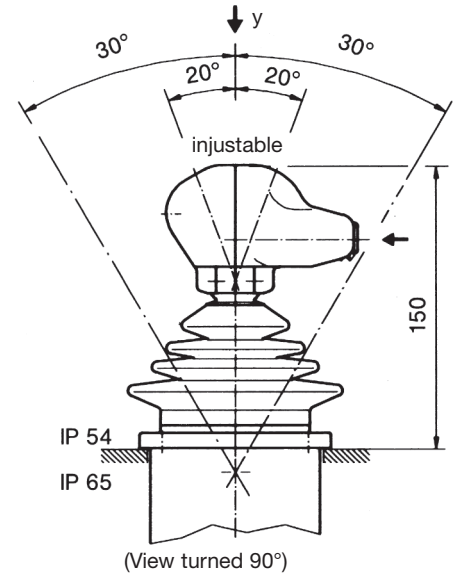
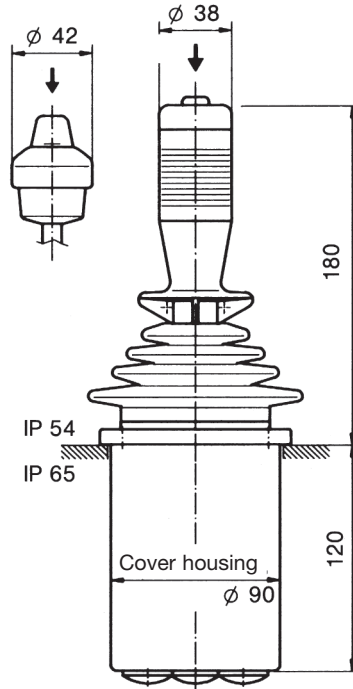
Knob solid
D = -push button

Palm grip B 1
B 1T = dead man's button
see catalog 1/284

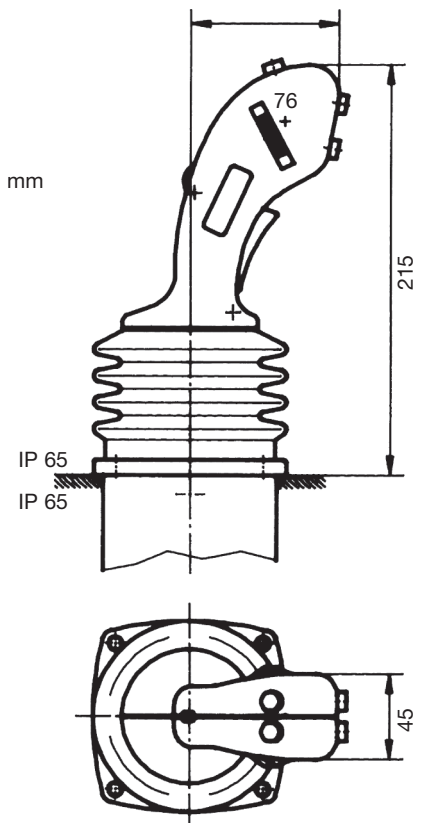
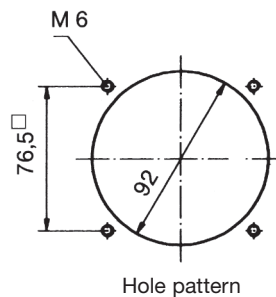
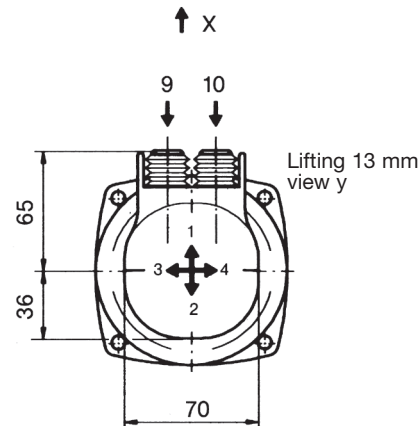
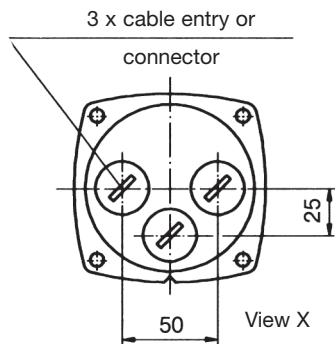
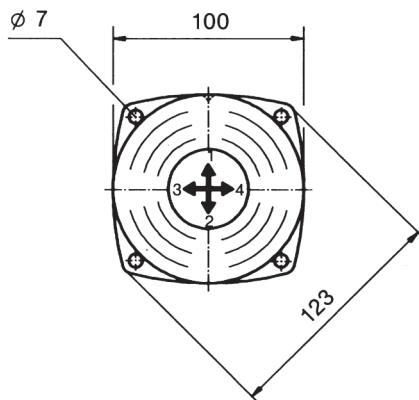
Palm grip B 2
for the 3. direction 9-10
see catalog 1/285



Expanse for impedance-converter and board with solder-, plug-, or screw terminal



Palm grip B 3
see catalog 1/286
for the 3. direction 11-12
for the 4. direction 13-14



	V8	L	S5	P	B3K - 3	Z	P + 1	R	P	-B-	-X-	A050	P184	+A98	P182	
multi-axis controller																Potentiometer description dir. 3-4 (7-8) see p. 1/240ff
installation side L o. R																Arrangement dir. 3-4 (7-8) see p. 5/001
special control handle																Potentiometer description dir. 1-2 (5-6) see p. 1/240ff
gate																Arrangement dir. 1-2 (5-6) see p. 5/001
handle																special please describe housing
contact dir. 1-2 (5-6)																Potentiometer dir. 3-4 (7-8)
spring return dir. 1-2 (5-6)																friction brake dir. 3-4 (7-8)
Potentiometer dir. 1-2 (5-6)																
contact dir. 3-4 (7-8)																