

Type P7-1ZP-...

The pedal-controller P 7 and PP 7 is a rugged switching devices to IEC/EN 60947-5-1, for footing applications.

Contact complement 2 A 250 V AC 15 or 3 A 24 V DC 13

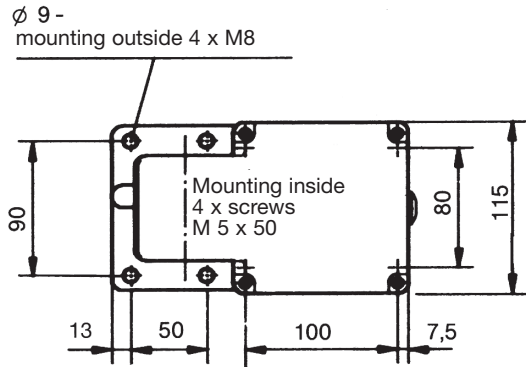
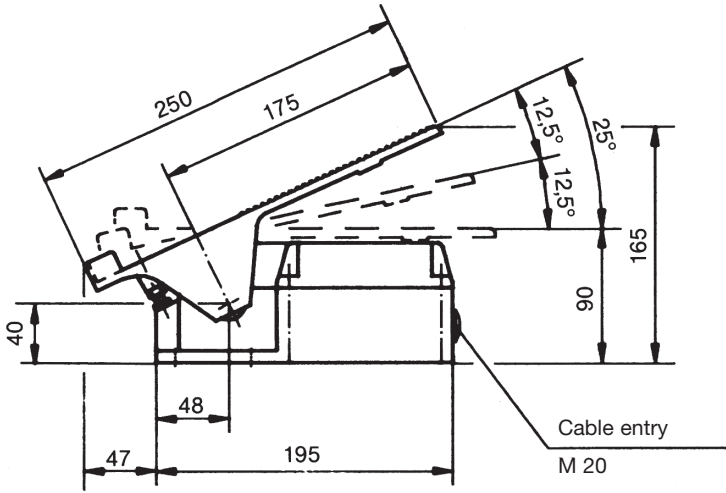
Surface treatment Primer, top coat: 2 coats of epoxy-resin paint, standard colour
RAL 7032 pebble-grey textured varnish

Mechanical life P 7 6 million operating cycles
PP 7 10 million operating cycles

Permissible ambient temperature Operation -40° C to +60° C
Storage -50° C to +80° C

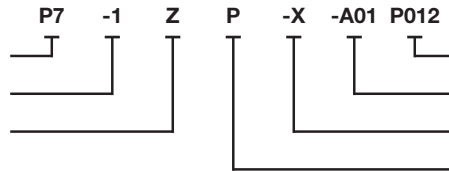
Climate resistance
Damp heat constant IEC 60068-2-78
Damp heat cyclic IEC 60068-2-30
Degree of protection P 7 IP 54 IEC/EN 60529
PP 7 IP 65 IEC/EN 60529

View at the top without rocker



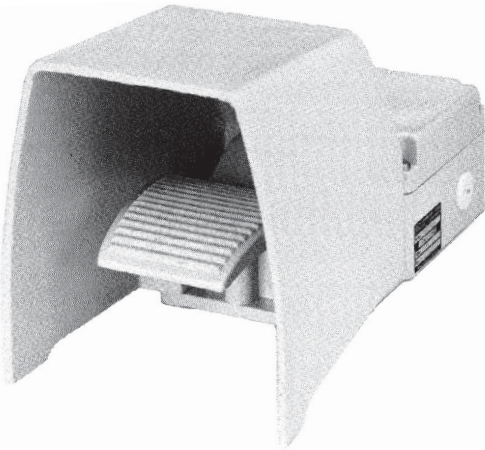
Example for type-sign

Pedal-controller
No. of contacts
Spring return



Potentiometer description
Arrangement
special please describe
Potentiometer e.t.c.

Pos.		Type-expansion	Weight gramm	Type	Price EURO
1	Pedal-controller standard version		1700	P 7	
2	Pedal-controller heavy-duty version		1800	PP 7	
4	Switching sequence max. 0-4 or max. 2-0-2		150		
8	No. of contacts (microswitch) max. 6 pcs.		30	1	
9	Switching program according contact-arrangement MS look catalog 5/001	A...	40	2	
10	or to your contact-arrangement		50	3	
11	Spring return in 0-position		100	Z	
12	Friction brake		50	R	
15	Potentiometer e.t.c. with mounted Wire-wound potentiometer T 129 linear 1,5 Watt wiper current max. 10 mA resistance 1k \cong P012, 2k \cong P013, 4k \cong P014, 10k \cong P015	P01 \square	70	P	
16	Prepared for mounting potentiometer shaft 6 mm adjusting-angel 300°			(P)	
17	More potentiometer e.t.c. look catalog 1/240ff	P...			

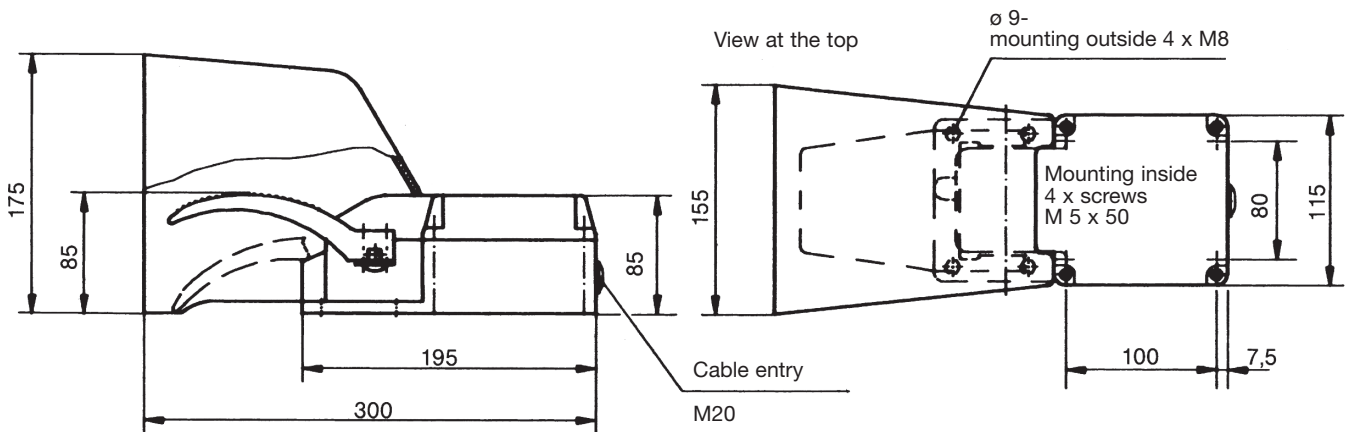


Type P8-1ZP-...

The pedal-controller P 8 and PP 8 is a rugged switching devices to IEC/EN 60947-5-1, for footing applications.

Contact complement 2 A 250 V AC 15 or 3 A 24 V DC 13

Surface treatment:		Primer, top coat: 2 coats of epoxy-resin paint, standard colour RAL 7032 pebble-grey textured varnish
Mechanical life	P 8 PP 8	6 million (operating cycles) 10 million (operating cycles)
Permissible ambient temperature		Operation -40° C to +60° C Storage -50° C to +80° C
Climate resistance		IEC 60068-2-78
Damp heat constant		IEC 60068-2-30
Damp heat cyclic		IP 54 IEC/EN 60529
Degree of protection	P 8 PP 8	IP 65 IEC/EN 60529

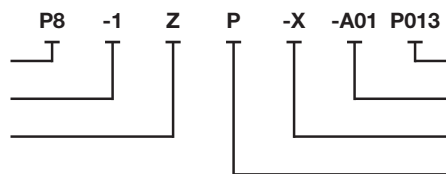


Example for type-sign

Pedal-controller

No. of contacts

Spring return



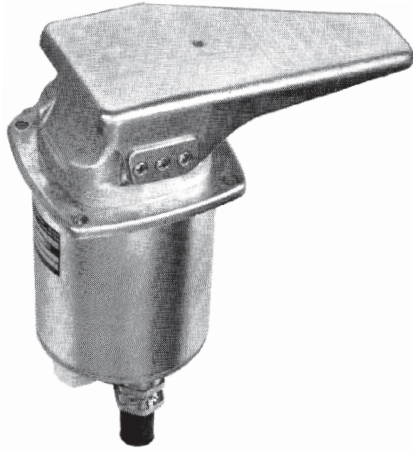
Potentiometer description

Arrangement

special please describe

Potentiometer e.t.c.

Pos.		Type-expansion	Weight gramm	Type	Price EURO
1	Pedal-controller standard version		2500	P 8	
2	Pedal-controller heavy-duty version		2600	PP 8	
4	Switching sequence max. 0-4		150		
8	No. of contacts (microswitch) max. 6 pcs.		30	1	
9	Switching program according contact-arrangement MS look catalog 5/001	A...	40	2	
10	or to your contact-arrangement		50	3	
11	Spring return in 0-position		100	Z	
12	Friction brake adjustable		50	R	
15	Potentiometer e.t.c. with mounted Wire-wound potentiometer T 129 linear 1,5 Watt wiper current max. 10 mA resistance 1k \cong P012, 2k \cong P013, 4k \cong P014, 10k \cong P015	P01 □	70	P	
16	Prepared for mounting potentiometer shaft 6 mm adjusting-angle 300°			(P)	
17	More potentiometer e.t.c. look catalog 1/240ff	P...			



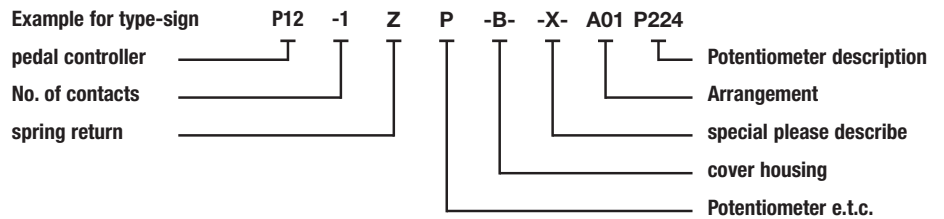
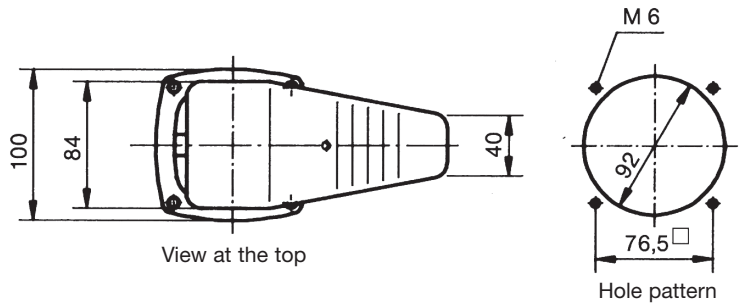
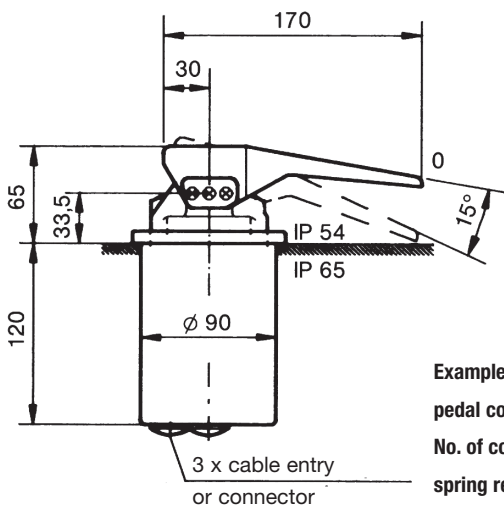
Type P12-1ZP-B...

The pedal-controller P 12 is a rugged switching device to IEC/EN 60947-5-1 for electro-hydraulic applications. The modular design enables the switching device to be used universally. The P 12 is resistant to oil, maritime climate, ozone and UV radiation.

Contact complement 0,5 A 110 V AC 15 or 1,5 A 24 V DC 13
I min > 0,2 mA 2 V DC 12 Gold plated for max. load of 0,12 Watt (standard)

Mechanical life	8 million (operating cycles)
Permissible ambient temperature	Operation -40° C to +60° C Storage -50° C to +80° C
Climate resistance	
Damp heat constant	IEC 60068-2-78
Damp heat cyclic	IEC 60068-2-30
Degree of protection front	IP 54 IEC/EN 60529

Technical data look catalog 5/100



Pos.		Type-expansion	Weight gramm	Type	Price EURO
1	Pedal-controller standard version		1300	P 12	
2					
3	Switching sequence max. 0-3				
7	No. of contacts (microswitch) max. 3 pcs.		20	1	
8	Switching program according contact-arrangement MS look catalog 5/001	A...	40	2	
9	or to your contact-arrangement		60	3	
11	Spring return in 0-position		30	Z	
12	Friction brake adjustable		30	R	
15	Potentiometer e.t.c. with mounted Conductive-plastic potentiometer T 362 linear life 10 ⁷ switching cycles Resistance 5 kOhm 0,5 Watt wiper current max. 1 mA	P224 □	70	P	
16	Prepared for mounting potentiometershaft 6 mm adjusting angle 120°			(P)	
17	More potentiometer e.t.c. look catalog 1/240ff	P...			
18	Impedance converter Input + 15 Volt, output + 10 Volt / 5 mA	I...		I	
20	Cover housing		300	B	
21	Filter plug M 20 for air-condition		20		
22	Cable entry M 20 with anti-kink protection and strain relief		30		
23	Plug in socket 14-pole female insert CPC 17 wired		150		
24	Connector 14-pole male insert CPC 17 unwired		150		
25	Wiring plug in socket or connector each wired-connection				
26	Electronic (Amplifier, Profi-Bus, CAN-Bus) look catalog 3/510ff	E...			